

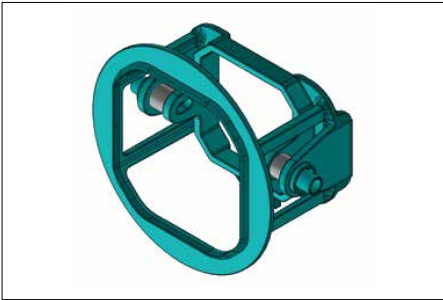
FORD APPLICATIONS

Thank you for your purchase of our new SS3 Type FT Foglight Kit. CAD-designed to use existing mounting points, this kit is compatible with many Ford and Toyota models. Basic installation instructions are included below.

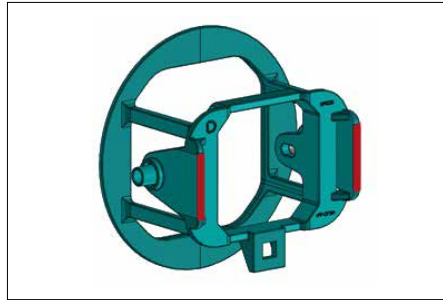


THE INSTRUCTIONS BELOW ARE FOR FORD APPLICATIONS ONLY:

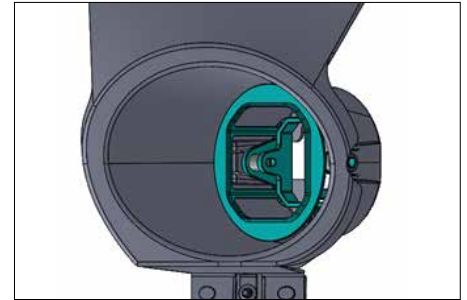
1. Remove the fog light bezel from the bumper by removing the bolts holding it in place and disconnecting the fog light harness.
2. Remove the adjustment screw from the fog light housing. The adjustment screw won't be reused. Remove the factory fog light housing by prying up on the retainer clips holding it in place.



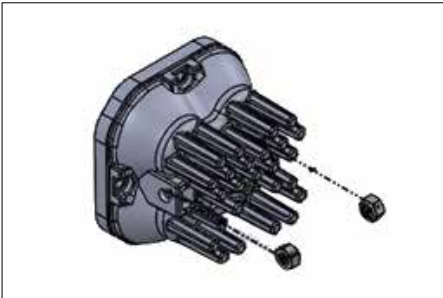
3. Place the included plastic spacers just inside the outer tabs of the SS3 bracket, on each side. Spacers are shown in grey color in diagram above.



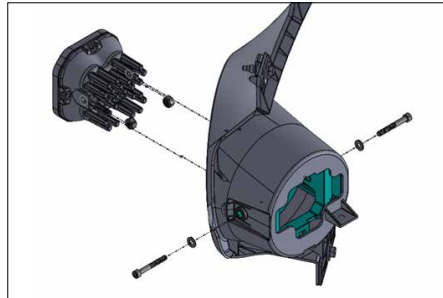
4. Place the rectangular adhesive pads on the back of the bracket, on each side. Adhesive pads are shown in red color on diagram above.



5. Install the SS3 bracket on to the factory bezel. Flex the outer clips of the factory bezel slightly if required.



6. Place the supplied nuts into the holders on the SS3 pod, with the nylon locking feature facing inwards.



7. With nuts installed, place the SS3 into the bracket and bezel assembly, aligning the holes on each side.

8. Secure the pod by inserting the provided hex-head screw through the bezel and bracket on each side, using the washer as well. Tighten it down, into the nut you placed into the SS3 pods. These screws will also determine the aim of your SS3 pods.

NOTE: The ball head screws provided with the kit will not be used for Ford applications.



9. Reinstall the fog light bezel and SS3 assembly onto the vehicle, using the original hardware.

10. Plug the SS3 into the factory fog light harness, using the included wire adapter. If the SS3 does not light up, unplug and flip the connector 180 degrees in the factory socket, and try again.

11. Adjust and aim the fog light according to your local and state laws. To adjust, loosen the screws on the sides of the bracket, aim, and re-tighten. In general, fog lamps should be angled slightly downwards to illuminate the area directly in front of the vehicle, below your headlamps.

See back for Toyota application specific instructions.

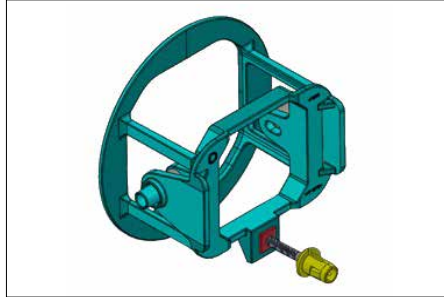
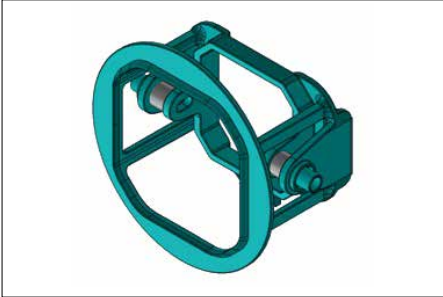
NEED MORE HELP?

Scan the QR code to link to our installation video online!



THE INSTRUCTIONS BELOW ARE FOR TOYOTA APPLICATIONS ONLY:

1. Access your factory fog lights. Usually it is easiest to pull back the wheel well liner and reach to the lights. Disconnect the fog light connector from the vehicle wiring harness.
2. Remove the fog light from the vehicle. To do so, squeeze the fixed pin while pushing toward the front of the vehicle. Then pry up on the retainer clips holding the fog light in place.



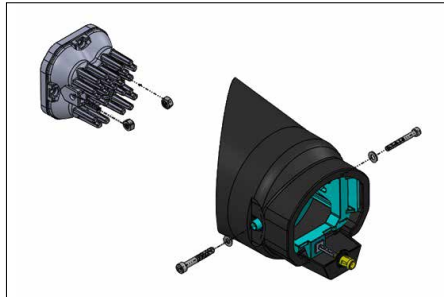
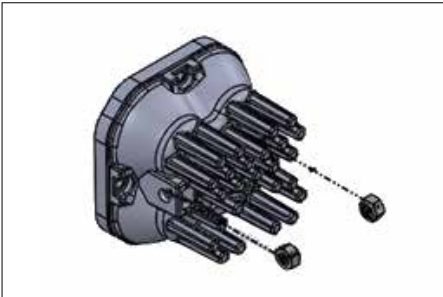
3. Place the included plastic spacers just inside the outer tabs of the SS3 bracket, on each side. Spacers are shown in grey color in diagram above.

4. Unscrew the ball-head adjustment screw from your factory fog lamp. Remove the plastic nut from it (shown in yellow on diagram). Remove the metal clip-nut (shown in red on diagram).

6. Install the SS3 bracket onto the vehicle. If needed, flex the retainer clips on the factory bezel to slide the bracket into place.

5. Install the factory plastic nut onto the supplied ball head screw, which is slightly longer than the factory screw. Place the clip-nut into position on your SS3 bracket, in the same way it was placed on the factory fog lamp. Finally, screw the adjustment ball-head screw into the clip-nut.

NOTE: The depth this screw is installed will determine the aim of your SS3 pods.



7. Place the supplied nuts into the holders on the SS3 pod, with the nylon locking feature facing inwards.

8. With nuts installed, place the SS3 into the bracket and bezel assembly, aligning the holes on each side.

10. Plug the SS3 into the factory fog light harness, using the included wire adapter. If the SS3 does not light up, unplug and flip the connector 180 degrees in the factory socket, and try again.

9. Using the included washers and hex cap screws, secure the SS3 to the bezel. Tighten it down, into the nut you placed into the SS3 pods.

11. Adjust and aim the fog light according to your local and state laws using the ball head screw. In general, fog lamps should be angled slightly downwards to illuminate the area directly in front of the vehicle, below your headlamps.

NEED MORE HELP?

Scan the QR code to link to our installation video online!



This installation guide is for the following SKUs:

DD6229 Worklight SS3 Sport Type FT Kit White Driving
DD6230 Worklight SS3 Sport Type FT Kit White Fog

DD6232 Worklight SS3 Sport Type FT Kit Yellow Fog
DD6233 Worklight SS3 Pro Type FT Kit White Driving

DD6234 Worklight SS3 Pro Type FT Kit White Fog
DD6236 Worklight SS3 Pro Type FT Kit Yellow Fog