



# Installation Instructions

## Door Surrounds and Tailgate Bar for 2007-2018 Jeep® Wrangler JK 4 Door Item # 15420401



*Assembled Door Surrounds in Place on Vehicle (4 Door)*



*Door Surrounds and Tailgate Bar Kit Contents (4 Door)*

### Parts List:

Driver Side Door Surround - Qty 1  
Passenger Side Door Surround - Qty 1  
Tailgate Bar with Clips - QTY 1

### Required Tools: (for all)

Safety Glasses  
Phillips Head Screwdriver  
Scissors  
10mm Wrench (optional)  
Needle Nose Pliers (optional)

### NOTICE

This Door Surround and Tailgate Bar kit is designed to fit on your 4 Door JK Wrangler when the hard top or original soft top has been completely removed. Before beginning your installation of this product, carefully remove your hard top or current soft top hardware. This hardware system is designed to be used with MasterTop Cable style Bimini Tops, Tonneau cover and Wind Stopper Plus roll bar curtain. It can also be used with other brands Bimini tops and other accessories.

### ⚠ WARNING ⚠

Loss of vehicle control involves risk of death or serious injury, particularly to parts of your body not restrained within vehicle. This product is intended for weather protection only and should not be relied upon to contain occupants in the event of an accident or to protect from either ground contact or falling objects. To reduce risk of accident or injury:

- ALWAYS WEAR SEATBELTS
- Always keep head, arms & body parts within vehicle.
- Fully secure or stow the soft top before driving according to instructions. Never try to latch or fold soft top while driving. Do not use if damaged or worn.
- Read and follow all instructions & warnings accompanying this product, in your vehicle owner's manual and Off Road Driving Supplement.

### ⚠ CAUTION ⚠

RISK OF EYE INJURY. Safety glasses should be worn at all times while installing or maintaining this product.



### Important Safety information

Your MasterTop® Door Surrounds and Tailgate bar is intended to provide a mounting platform for fabric accessories or a MasterTop Soft top bow assembly. Before installation, please take a moment to review the following safety information and installation instructions. Important safety information is generally preceded by one of three signal words indicating the relative risk of injury. The signal words mean:

#### **WARNING**

A hazardous situation which, if not avoided, could result in death or serious injury. You CAN be KILLED or SERIOUSLY HURT if you don't follow instructions.

#### **CAUTION**

A hazardous situation which, if not avoided, could result in minor or moderate injury. You CAN be moderately HURT and also may suffer property damage if you don't follow instructions.

#### **NOTICE**

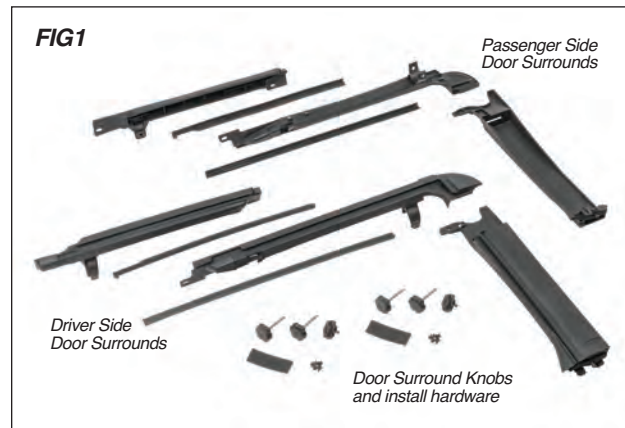
Careful attention is required to this instruction or operation but does generally not relate to personal injury. Damage to your MasterTop product or other property may result if you don't follow instructions.

### Before you begin Installation:

We are excited that you have chosen the MasterTop Door Surrounds and Tailgate Bar. This high quality door surround system is designed to provide a platform for the installation of a fabric soft top Bow system or soft accessories. Please note that it is important that you become familiar with the installation process of this top by reading the following instruction sheet and warnings thoroughly.

When unpacking, carefully check to make sure all parts are included. If any part is missing or broken, please call MasterTop customer service at 720-575-5440.

### Un-packing and Organizing the Door Surrounds



Put on safety glasses. Carefully remove all the contents of the large shipping box onto a table top or onto the ground on top of a soft towel.

Once the components are removed from the shipping box, locate the two long rectangle boxes that house the door surrounds. Each box contains a front and rear door surround and hardware.

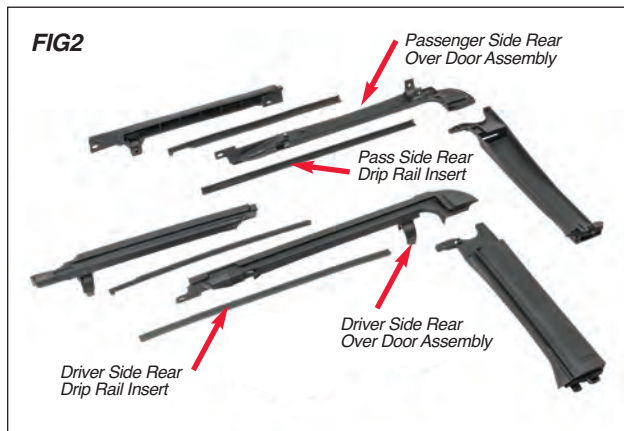
Carefully remove the contents of each box organizing them as shown in FIG1 making sure the passenger side and driver's side components are separated.

#### **NOTICE**

This Door Surround kit is designed to fit 07-2018 JK 4 door Wranglers. If you own a soft accessory designed to fit a 07-09 Wrangler, skip to step 3. If you are using a MasterTop Soft top on this hardware system or a 2010-2018 fabric replacement soft top with a cable style attachment, proceed as follows with step one.



## Section 1: Door Surround Assembly



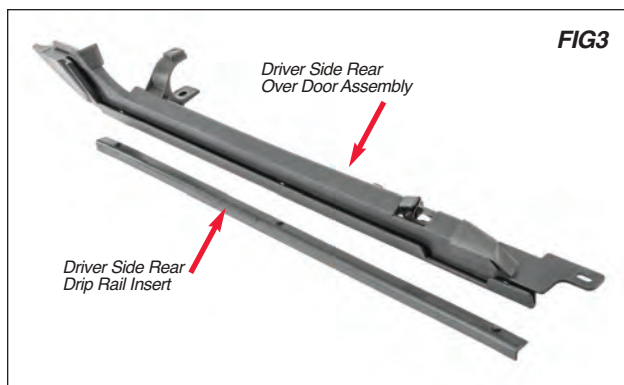
### Step 1: Rear Door Surround Assembly

Locate the Driver's side Rear over door assemblies and the "drip rail" inserts shown in FIG2.

Separate out the driver's side Rear over door assembly and corresponding drip rail insert as shown in FIG3.

Locate and line up the three round tabs on the drip rail with the holes located in the over door assembly as shown in FIG4.

Firmly Squeeze the round tabs down into the holes permanently securing them to the over door assembly (See FIG5).

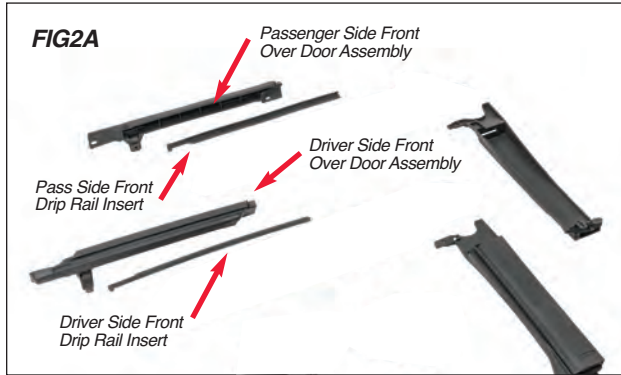


NOTE: It may take a lot of force to squeeze these tabs into the over door assembly. You may need to use a rubber mallet or the edge of a table to secure them completely.

Repeat this procedure for the Passenger side rear over door assembly.



**Section 1: Door Surround Assembly**

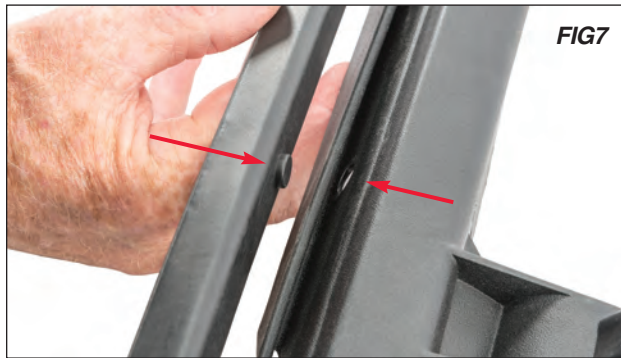


**Step 2: Front Door Surround Assembly**  
 Locate the driver's side Front over door assembly and corresponding drip rail insert as shown in both FIG2A and FIG6.



Locate and line up the two round tabs on the drip rail with the holes located in the over door assembly as shown in FIG7. While lining up the two holes, also line up the half circle on the drip rail with the half circle on the over door assembly as shown in FIG8.

Firmly Squeeze the round tabs down into the holes permanently securing them to the over door assembly while making sure the half circle is properly located in the cutout (See FIG9).



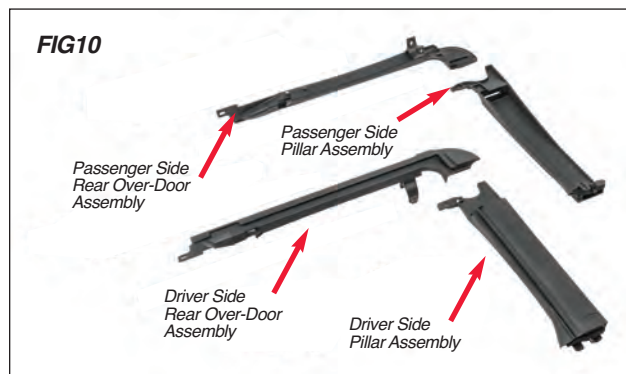
**NOTE:** It may take a lot of force to squeeze these tabs into the over door assembly. You may need to use a rubber mallet or the edge of a table to secure them completely.

**Repeat this procedure for the passenger side front over door assembly.**





## Section 1: Door Surround Assembly



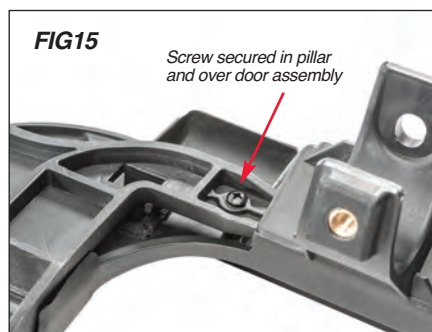
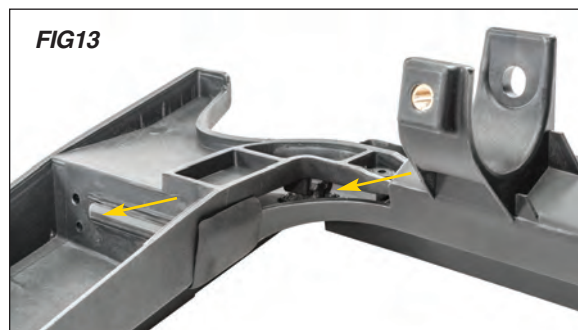
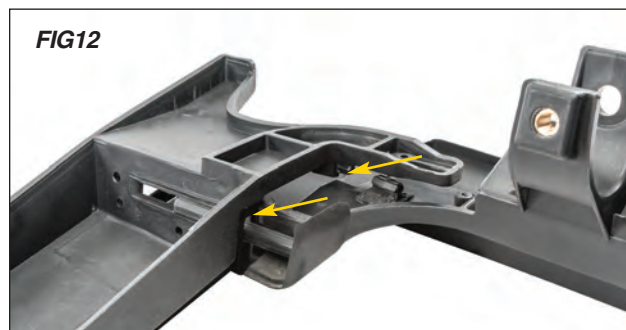
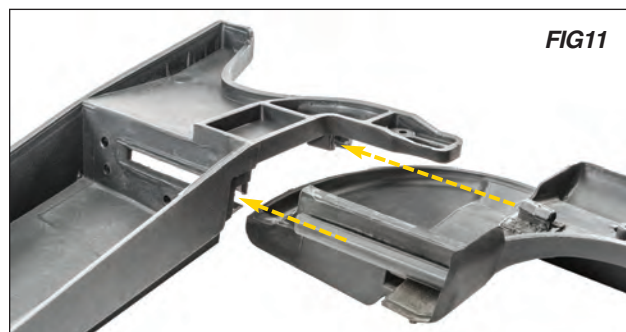
### Step 3: Pillar and Rear Over Door Surround Assembly

Locate the driver's side Rear over door assembly and the driver's side Pillar assembly shown in Fig 10.

Turn the two pieces over as shown in FIG11 and line up the slot on the pillar assembly with the "T" on the over door assembly. Notice in Fig11 that there is a secondary "T" that will be lined up when you slide the long "T" into the long slot. Slide the two pieces together lining up both "T's" to secure the top over door assembly with the Pillar assembly. See FIGs 12 & 13.

Locate the small screw packet in the hardware kit found in the door surround box. Using a Phillips head screw driver, install the screw into the screw hole on the two assembled parts securing them permanently together. See FIGs 14, 15 & 16.

Repeat the above assembly on the Passenger side Rear over door and pillar assemblies.



## Section 1: Door Surround Assembly

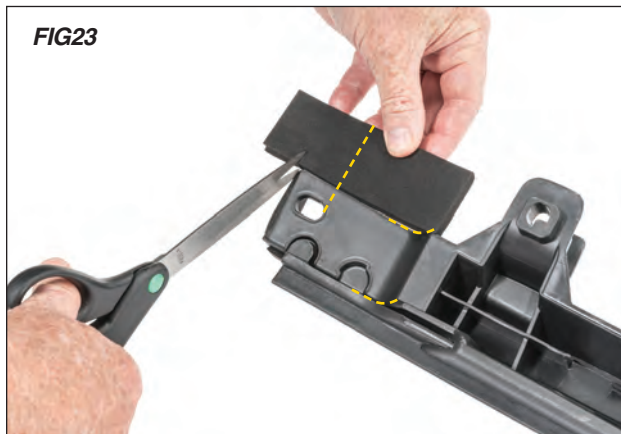


### Step 4: Install Rear Door Surrounds to Jeep

Locate the assembled Driver's side rear door surround (Fig 17). On the bottom of the vertical pillar portion of the assembled door surround is a pin that will be inserted into the body tub as shown in FIG18.

Insert this pin into the body tub as shown in FIGs 19 & 20. After inserting the pin, locate the upper portion of the door surround "C" attachment and push onto roll bar (Figs 21 & 22).

The "C" should fit in the cutout of the roll bar pad. Line up the threads in the "C" with the top hole in the roll bar. **Repeat this procedure on the passenger side.**



### Step 5: Install Foam to Front Door Surrounds

Locate the driver's side front door surround and the rectangular piece of foam found in the door surround hardware pack. Line up the foam with the rear of the door surround and measure the length between the rear of the door surround and the top of the curve (Fig 23). With a pair of scissors, cut the foam to size. Remove the backing on the foam and secure it to the front of the door surround as shown in FIG24.

Make sure not to cover the hole in the door surround. **Repeat this procedure on the passenger side door surround.**





## Section 1: Door Surround Assembly



### Step 6: Install Front Door Surrounds to Jeep

Locate the driver's side front door surround on which you just installed the foam and line up the rear end with the front of the rear door surround as shown in FIG25. Make sure the Door seals are not caught under the door surrounds. (See FIG26)

Push the seal between the front and rear door surround together and then, as you did with the rear door surround, push the "C" channel onto the roll bar between the padding (cutout) and line up the holes in the "C" with vertical holes in the roll bar (FIGs 27, 28 & 29).

Repeat this procedure on the passenger side.



### Step 7: Secure Front & Rear Door Surrounds to Roll Bar

Locate the two sets of screw knobs in each Door surround box. There should be (2) sets of three knobs with two the same length and one shorter length. The shorter knob attaches to the center hole on the door surrounds and the (2) longer knobs go on the front and rear holes.



Line up the door surround "C" attachment holes with the vertical holes in the roll bar. Slip the front knob through the hole in the front door surround (FIG30). Tighten the knob securing the front door surround. Repeat this procedure on the back of the rear door surround. Finally, with the short knob secure the "sandwiched" front & rear door surrounds with the short knob and tighten all three knobs (FIGs 31 & 32). All knobs on both sides of the vehicle should be secured to the roll bar. **This completes the installation of the door surrounds to your vehicle.**

## Section 2: Installation of Tailgate Bar Brackets and Tailgate Bar



FIG34

### Step 8: Attaching the Tailgate Brackets and Tailgate Bar

Locate the Tailgate bar and brackets (FIG 34). Locate the driver's side bracket (marked on the bracket) with the lip to the outside of the vehicle, line up the bracket with the slot in the body tub, hook the rear portion of the bracket to the body tub and roll the bracket forward until it clicks.

See FIGs 35, 36 & 37. Repeat this procedure on the passenger side. See the Soft top or Soft accessory instruction sheet for the proper installation of the tailgate bar into these brackets.



FIG35



FIG36

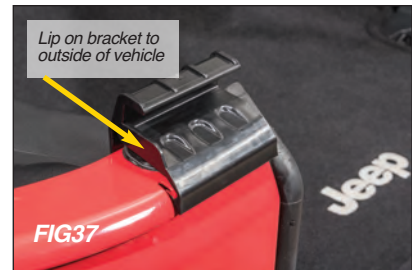


FIG37



FIG38

### Optional: Bow Hook Removal

Your MasterTop Door Surrounds are designed to be used by themselves or with a MasterTop Complete Bow System. If you are using these door surrounds for anything other (summer accessories for example) than with the MasterTop Bow system you may want to remove the installed bow hook and push button found on each side of the rear over door assemblies (FIG 38).

To remove the hook you will need a Phillips head screw driver, a 10mm wrench and a pair of needle nose pliers.

Turn the Door surround upside down and locate the locking nut on the side of the bow hook assembly (FIG 39). Using a Phillips head screw driver and a 10mm wrench remove the screw from the locking nut which will remove the hook assembly (FIG 40).

Once removed, use needle nose pliers to unhook the spring from the door surround as shown in FIG 41.



FIG39



FIG40



FIG41





**ShadeMaker™  
Bimini Top Plus**



**NEW!** Freedom Mesh Tops are designed to work with Hardtop Wranglers!



**2 Door  
ShadeMaker™  
Mesh Bimini Top**



**2 Door ShadeMaker™  
Mesh Bimini Top Plus**

**ShadeMaker™ Mesh Bimini & Bimini Plus Tops by MasterTop®**

Block harsh sun rays while keeping the open air experience that you enjoy with a ShadeMaker Mesh Bimini or Mesh Bimini Plus Top. The NEW Freedom Mesh tops are designed to work with hardtop model Wranglers, allowing you to keep your mesh top on while using your hardtop. The easy on and off MasterTop ShadeMaker Mesh Bimini provides generous coverage over the front seats while the ShadeMaker Mesh Bimini "Plus" extends further comfort and protection to back seat passengers. There's no header channel or tools required to install. ShadeMaker Mesh tops are constructed of extra durable mesh fabric originally developed for commercial trucking to keep cargo in place. The mesh weave blocks up to 70% of the sun's harmful UV rays and features heavy duty webbing at the edges providing super strong attachment points that are not seen on the competitors. Available in Black or Red mesh colors.

**ShadeMaker Mesh Bimini Tops for '07-'18 JK Wrangler 2 Door**  
**Front Mesh Bimini Top # 1420030X**  
**Front Freedom Mesh Bimini Top #1420130X**  
**ShadeMaker Mesh Bimini Top Plus**  
**For '07-'18 JK Wrangler 2 Door # 1422030X**  
**For '07-'18 JK Wrangler 4 Door # 1422040X**  
 Choose Black or Red

**Freedom Mesh Bimini Top Plus**  
**Freedom Mesh for '07-'18 JK Wrangler 2 Door #1422130X**  
**Freedom Mesh for '07-'18 JK Wrangler 4 Door # 1422140X**  
**Freedom Mesh for '18 - Current JL Wrangler 4 Door # 1420160X**  
 Choose Black or Red



# 10 Summer Accessories



Exclusive Zip Down™ Wind Stopper Features the Industry's ONLY Zip Down Window for Instant Open Airflow!

**4 Door Wrangler  
Zip Down Wind Stopper  
and Tonneau Cargo Cover**

## MasterTop Zip Down™ Wind Stoppers

The MasterTop Zip Down Wind Stopper creates a vertical barrier to block the backdrafting effect to keep the inside cab air much more stable, warmer and drier. Constructed of USA made OEM approved soft top fabric with ultra-clear press polished windows, Zip Down Wind Stopper easily attaches to the sport bar using heavy duty nylon straps and buckles. Wind Stopper's exclusive zippered window provides open airflow through the front of the cab on warm summer days. The MasterTop Wind Stopper also features an exclusive "zippered" connection to an optional MasterTop Tonneau Cargo Cover. The Wind Stopper for 2 door Wranglers extends to the vehicle floor while the 4 door version attaches behind the rear seat providing wind protection for both front and rear passengers. All Wind Stoppers are built with heavier 28 oz. Sail Cloth fabric for the ultimate in durability and looks.

For '07-'18 JK Wrangler 2 Door Black Diamond #14400335

For '07-'18 JK Wrangler 4 Door Black Diamond #14400435

## MasterTop Tonneau Cargo Covers

The MasterTop Rear Tonneau Cargo Covers conceal and retain belongings in the cargo area as well as protecting from the elements. Each Tonneau is constructed of genuine OEM approved soft top fabric and custom fitted for each application. Tonneau Cargo Covers incorporate sleeves that secure the cover around the sport bars and attach to your factory belt rail and tailgate bar system with the soft top or hard top removed. MasterTop Tonneau Cover feature an exclusive "zippered" connection to an optional MasterTop Zip Down Wind Stopper. All Tonneau Covers are built with heavier 28 oz. Sail Cloth fabric for the ultimate in durability and superior looks. These tailored covers are as good as it gets but not intended to be completely waterproof.

For '07-'18 JK Wrangler 2 Door Black Diamond #14500335

For '07-'18 JK Wrangler 4 Door Black Diamond #14500435







**All Summer Soft Tops Include:**

- EASY ON/EASY OFF DESIGN
- GRAB HANDLE FRIENDLY DESIGN
- NO DRILL INSTALLATION
- DURABLE OEM APPROVED TOP FABRICS
- PROUDLY CONSTRUCTED IN NORTH AMERICA
- INSTALLATION REQUIRES USE OF A NO DRILL WINDSHIELD HEADER CHANNEL

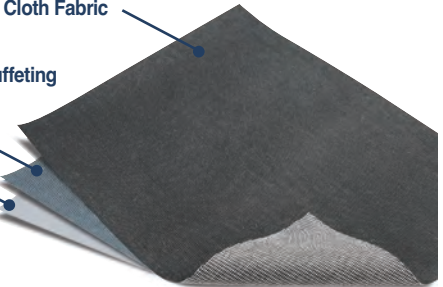


MasterTop Bimini and Bimini Top Plus accommodates sport bar mounted grab handles!

Tough Three Layer 28 ounce Black Diamond Sail Cloth Fabric

Inner Vinyl Layer to Reduce Noise and Buffeting

Poly/Cotton Under Layer



**MasterTop Bimini Top & Bimini Top Plus**

A great way to have fun in the sun while enjoying the open air driving experience is with a Bimini or a Bimini Top Plus from MasterTop. The easy to install Bimini Top design provides full shade over the front seats while the Bimini "Plus" adds further protection to the back seat passengers. These fair weather soft tops attach directly to your sport bar using straps, buckles and hook & loop fasteners with a no drill installation. Unlike other Bimini style tops, the MasterTop design accommodates sport bar mounted grab handles and features unique over the door attachments that work with factory soft top door surrounds. Each Bimini Top and Bimini Top Plus attaches to the front of your Jeep with a required no-drill windshield channel, available separately. All MasterTop Bimini Tops use heavy grade 28 oz. Sail Cloth fabric for ultimate durability and superior looks. MasterTop delivers on the promise to provide the quality you deserve and expect from a premium manufacturer.

**Bimini Tops**  
 For '07-'18 JK Wrangler 2 Door Black Diamond #14100335  
 Windshield Channel – Clamps On, No Drilling  
 For '07-'18 JK Wrangler # 14700001

**Bimini Plus Tops**  
 For '07-'18 JK Wrangler 2 Door Black Diamond #14300335  
 For '07-'18 JK Wrangler 4 Door Black Diamond #14300435







## Limited 3 Year Warranty

Your MasterTop® accessory is covered by the following Limited Warranty provided exclusively by MasterTop, Inc., 420 J Corporate Circle, Golden, CO 80401.

This Limited Warranty is the only warranty made in connection with your purchase. MasterTop neither assumes nor authorizes any vendor, retailer or other person or entity to assume for it any other obligation or liability in connection with this product or Limited Warranty. This Limited Warranty does not apply and is not cumulative to any accessory or part distributed by any MasterTop distributor for which the Manufacturer provides a separate written warranty.

**What is Covered:** Subject to the terms, exclusions and limitations herein and with respect only to MasterTop branded accessories first sold in the United States, MasterTop warrants to the initial retail purchaser only that your MasterTop accessory shall be free of defects in material and workmanship; **for a period of 3 years from date of initial retail sale.**

All other warranties are hereby disclaimed, except to the extent prohibited by applicable law in which case any implied warranty of merchantability or fitness for a particular purpose on this product is **limited to 3 years from date of initial retail sale.** MasterTop reserves the rights to: (a.) require invoice or other proof your product is within the terms of this Limited Warranty as a condition of warranty service and, (b.) make future revisions to this product and Limited Warranty without prior notice or obligation to upgrade your product.

**What is Not Covered:** Your MasterTop Limited Warranty does not cover products or parts MasterTop determines to have been damaged by or subjected to: (a.) installation damage, alteration, modification, failure to maintain or attempted repair or service by anyone not authorized by MasterTop, (b.) normal wear and tear, cosmetic damage or damage from water immersion, (c.) Acts of God, accidents, misuse, negligence, inadequate mounting or impact with vehicle(s), obstacles or other aspects of the environment, (d.) theft, vandalism or other intentional damage, (e.) fleet, rental or commercial use, (f.) use in competition or racing.

**Remedy Limited to Repair/Replacement:** The exclusive remedy provided hereunder shall, upon MasterTop inspection and at MasterTop's option, be either repair or replacement of product or parts (new or refurbished) covered under this Limited Warranty. Customers requesting warranty consideration on MasterTop Products should first contact MasterTop to obtain a RGA number (720-575-5440). All labor, removal, shipping and installation costs are customer's responsibility.

### **Other Limitations - Exclusion of Damages - Your Rights Under State Law:**

In consideration of the purchase price paid, neither MasterTop nor any independent MasterTop distributor /licensee are responsible for any time loss, rental costs, or for any incidental, consequential, punitive or other damages you may have or incur in connection with any part or product purchased. Your exclusive remedy hereunder for covered parts is repair/replacement as described above.

This Limited Warranty gives you specific rights. You may also have other rights that vary from state to state. For example, some states do not allow limitations of how long an implied warranty lasts and/or do not allow the exclusion or limitation of incidental or consequential damages, so the limitations and exclusions herein may not apply to you.

©MasterTop, Inc. 2018. All Rights Reserved. The term MasterTop® is a Registered Trademark of MasterTop Incorporated, Registered in U.S. Patent and Trademark Office.

[www.MasterTop.com](http://www.MasterTop.com)

Part #941029.01 Version 10.3.18 LTR

