



Jeep JL 2.5" Spacer Lift

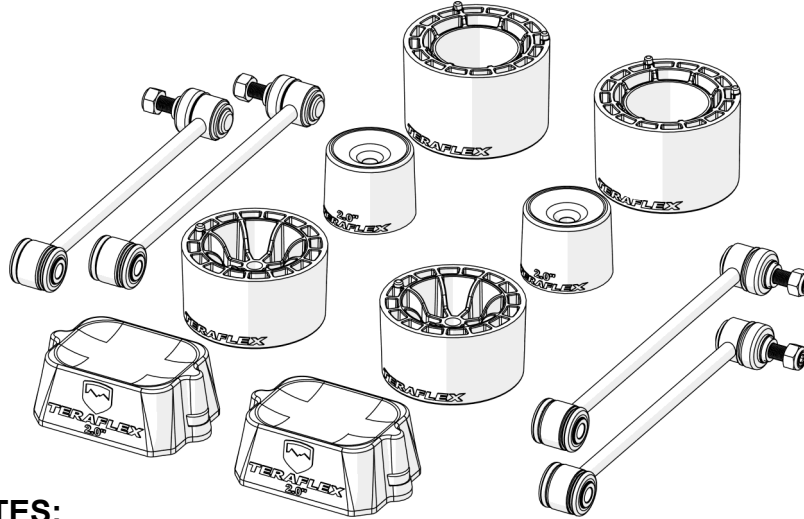
www.teraflex.com

Kit #1365200 - Jeep JL Wrangler, 4DR 2.5" Spacer Lift Kit (Sport/Sahara Edition)

Kit #1365300 - Jeep JL Wrangler, 2DR 2.5" Spacer Lift Kit (Sport/Sahara Edition)

Kit #1365210 - Jeep JL Wrangler, 4DR 2.5" Spacer Lift Kit (Rubicon Edition)

Kit #1365310 - Jeep JL Wrangler, 2DR 2.5" Spacer Lift Kit (Rubicon Edition)



IMPORTANT NOTES:

Prior to beginning this install, or any installation, *read the instructions thoroughly* to familiarize yourself with the required steps. Evaluate if you are experienced and capable to personally perform these modifications. A factory service manual should be used in conjunction with these installation instructions.

This product will change the highway handling characteristics of your vehicle, exercise caution. After altering the suspension it is always advisable to have an alignment done by a competent 4 wheel drive shop or by an alignment shop that is experienced with lifted 4 wheel drive vehicles.

Refer to the parts list to ensure that all necessary components and hardware has been included. If any parts are missing please contact your local TeraFlex dealer for assistance.

This kit is optimized to run 35" tires. If running 37" tires is desired Bumpstop Spacer Kit #1959300 can be purchased. Refer to page 13 of this guide for more information on the number of Bumpstop Spacers needed for your application.


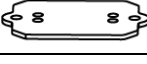



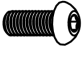


When tightening OEM control arm and track bar hardware refer to the torque specs given in the Factory Service Manual.

TOOLS NEEDED:

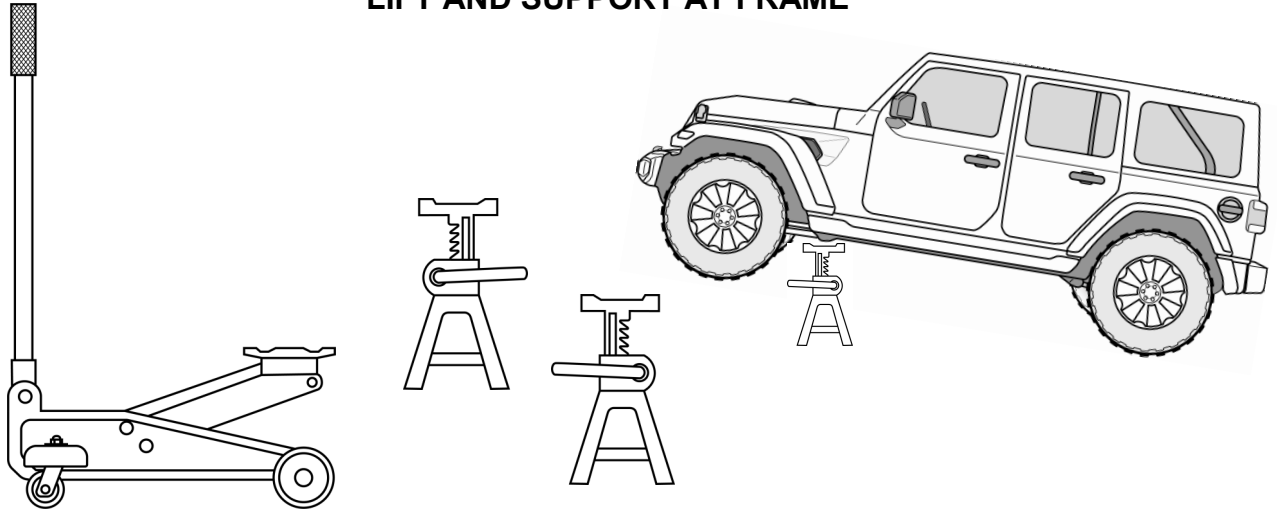
- Factory Service Manual
- Torque Wrench
- Basic Mechanics Tool Set
- Locking Pliers (2 Pairs)

MAINTENANCE INFORMATION:

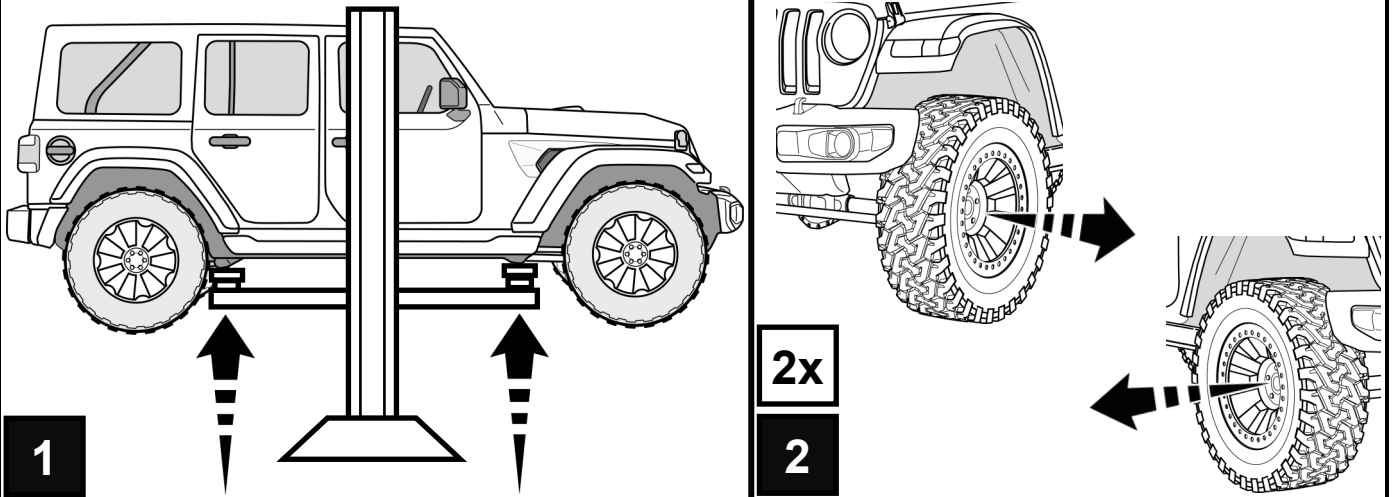
It is the buyer's responsibility to have all suspension, drivetrain, steering, and other components checked for proper tightness and torque after the first 300 miles and every 3000 miles after that.

| Item # | Image | Description | Part No. | Sport / Sahara | | Rubicon | |
|--------|---|---|---------------|----------------|-----|---------|-----|
| | | | | 2DR | 4DR | 2DR | 4DR |
| 1 |  | Front Spring Spacer | 05-01-109-300 | - | 2 | - | 2 |
| | | | 05-01-109-200 | 2 | - | 2 | - |
| 2 |  | Rear Spring Spacer | 05-01-209-250 | 2 | 2 | 2 | 2 |
| 3 |  | Front Bumpstops | 12-01-109-200 | 2 | 2 | 2 | 2 |
| 4 |  | Rear Bumpstops | 12-01-209-200 | 2 | 2 | 2 | 2 |
| 5 |  | Rear Bumpstop Bracket | 12-02-209-002 | 2 | 2 | 2 | 2 |
| 6 |  | Rear Bumpstop Mounting Strap | 12-02-209-001 | 2 | 2 | 2 | 2 |
| 7 |  | Front Bumpstop Spacers | 12-02-109-050 | 4 | 4 | - | - |
| 8 |  | Rear Bumpstop Spacers | 12-02-209-050 | 2 | 2 | - | - |
| 9 |  | Front Swaybar Link 10.75" | 744500 | 2 | 2 | 2 | 2 |
| 10 |  | Rear Swaybar Link 11.50" | 21-01-001-115 | 2 | 2 | 2 | 2 |
| 11 |  | M10 x 1.5 Fuji Nut | 23-07-03-001 | 6 | 6 | 6 | 6 |
| 12 |  | M10 x 1.5 x 120mm Hex Cap Screw | 45-01-003-005 | 2 | 2 | 2 | 2 |
| 13 |  | M10 x 1.5 x 100mm Flat Socket Cap Screw | 45-04-003-001 | 2 | 2 | 2 | 2 |
| 14 |  | M10 x 1.5 x 50mm Socket Cap Screw | 45-03-003-001 | 4 | 4 | 4 | 4 |
| 15 |  | M10 x 1.5 x 25mm Button Socket Cap Screw | 45-05-003-003 | 4 | 4 | 4 | 4 |
| 16 |  | M10 Flat Washer | 45-10-003-001 | 2 | 2 | 2 | 2 |
| 17 |  | M10 Lock Washer | 45-12-002-001 | 4 | 4 | 4 | 4 |
| 18 |  | M10 Slotted Washer | 47-02-001-001 | 2 | 2 | 2 | 2 |
| 19 |  | Nut Wrench Tool | 600271 | 1 | 1 | 1 | 1 |
| 20 |  | M12 x 1.75 x 55mm Button Socket Cap Screw | 45-05-003-001 | 2 | 2 | 2 | 2 |
| 21 |  | M12 x 1.75mm Black Fuji Nut | 23-07-02-002 | 2 | 2 | 2 | 2 |

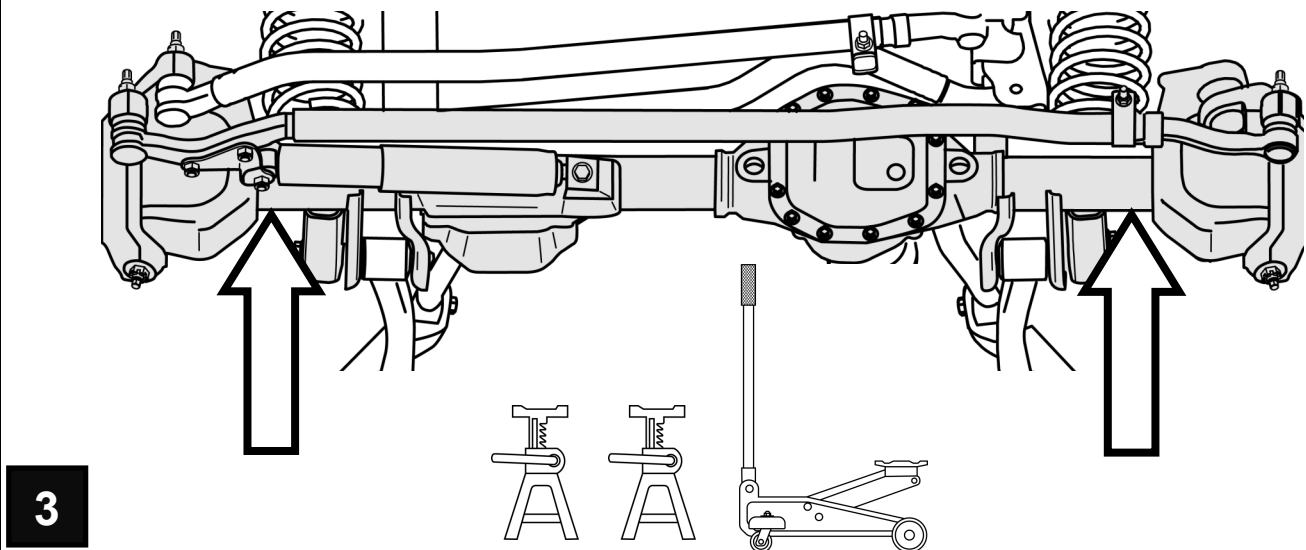
LIFT AND SUPPORT AT FRAME



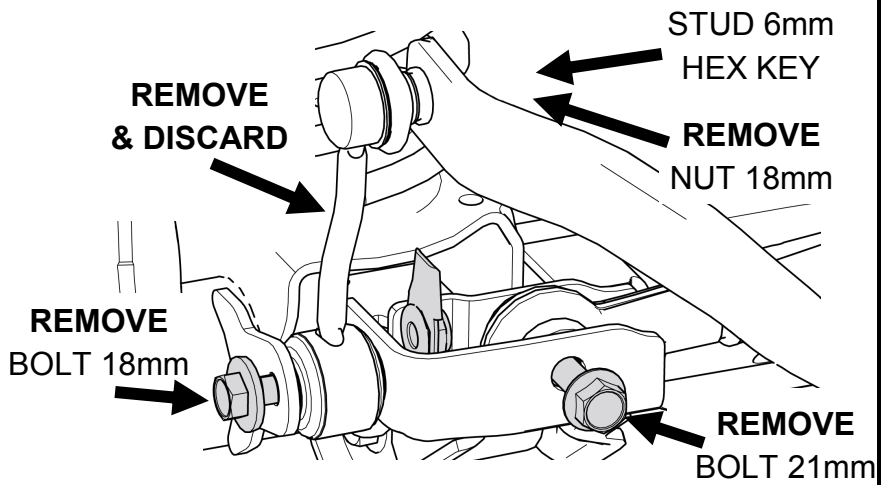
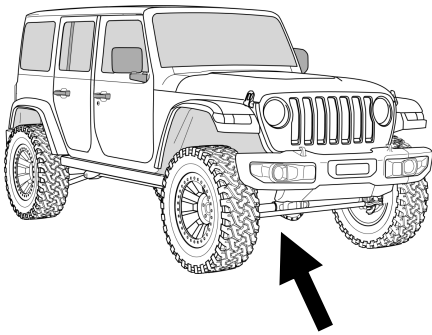
REMOVE TIRES AND WHEELS



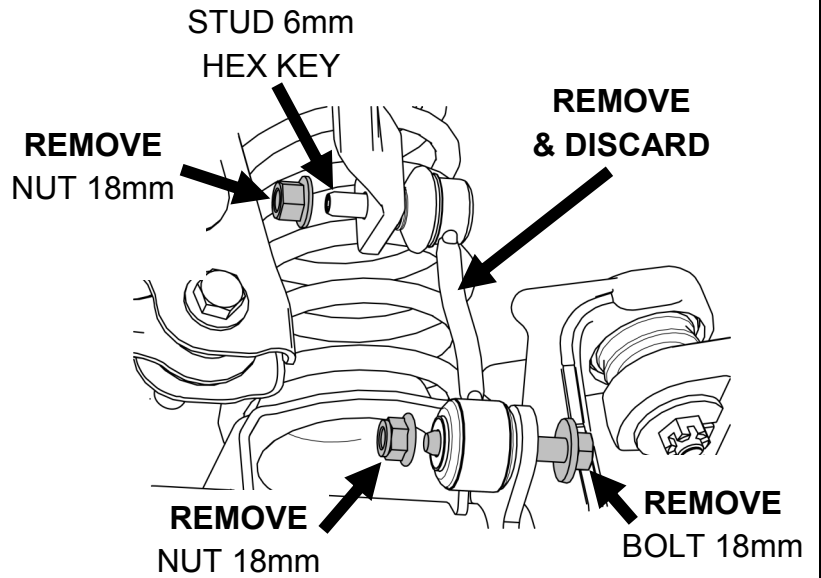
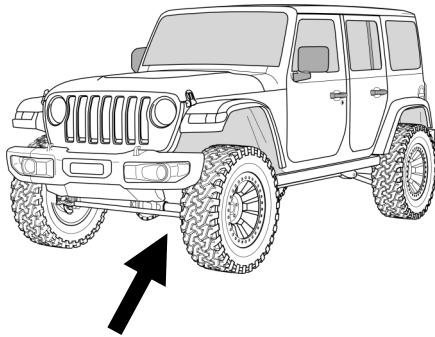
SUPPORT FRONT AXLE



REMOVE SWAY BAR LINK & REMOVE TRACK BAR AT AXLE

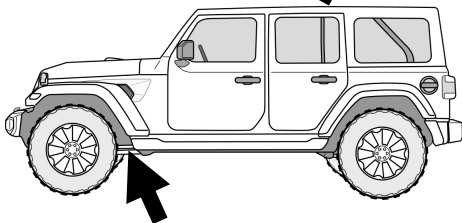
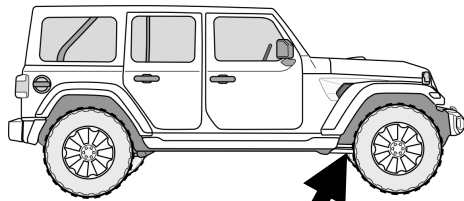


4



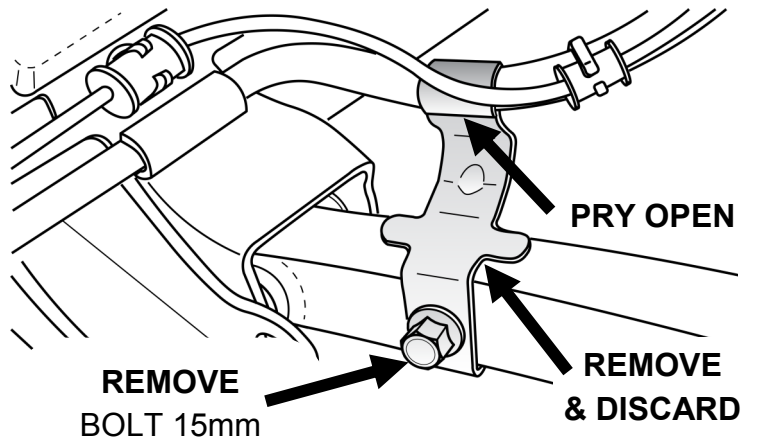
5

REMOVE AND DISCARD BRAKE LINE BRACKETS FROM LOWER CONTROL ARMS

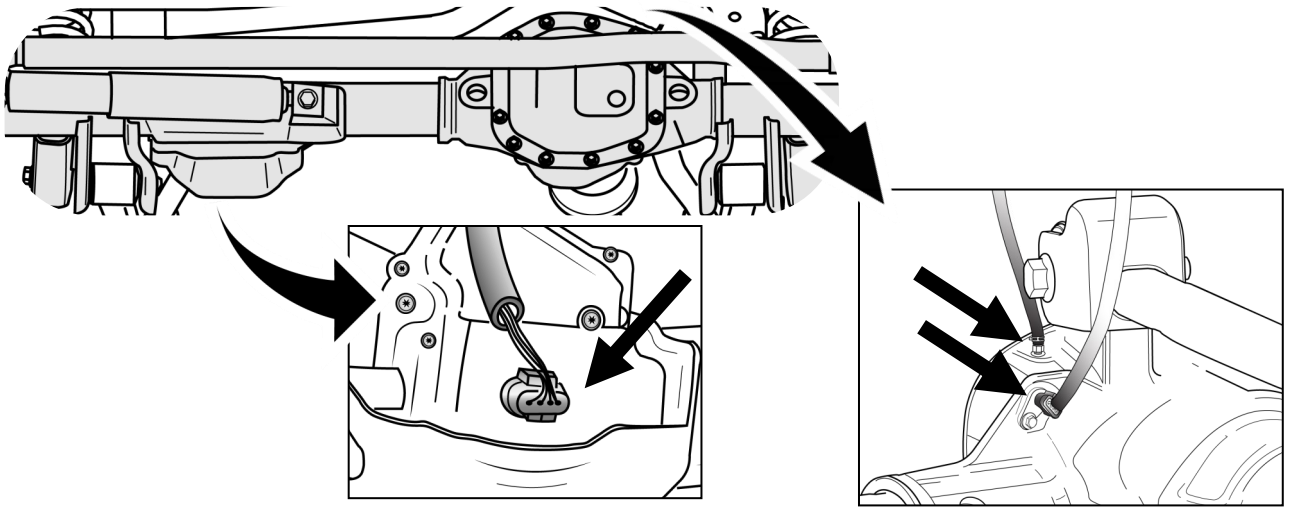


2x

6



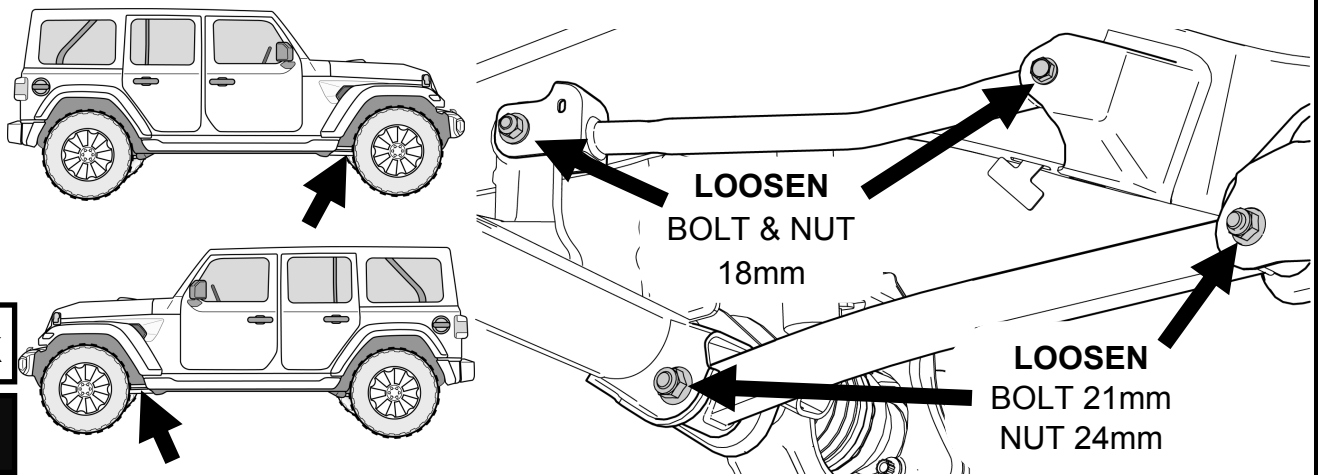
DISCONNECT ACTUATORS AND VENT HOSE AT THE FRONT AXLE



7

LOOSEN FRONT CONTROL ARM BOLTS

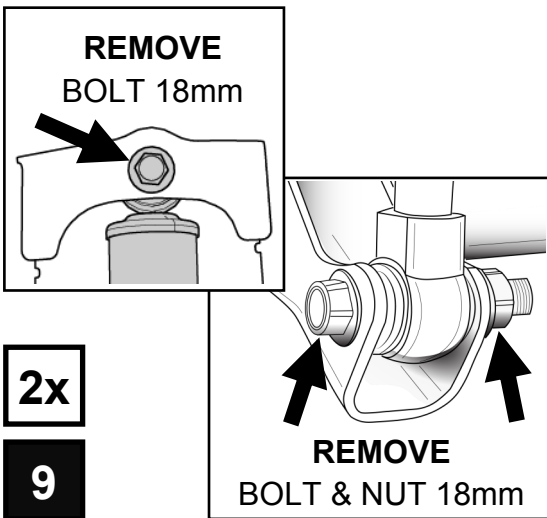
NOTE: DO NOT REMOVE THE CONTROL ARM BOLTS



2x

8

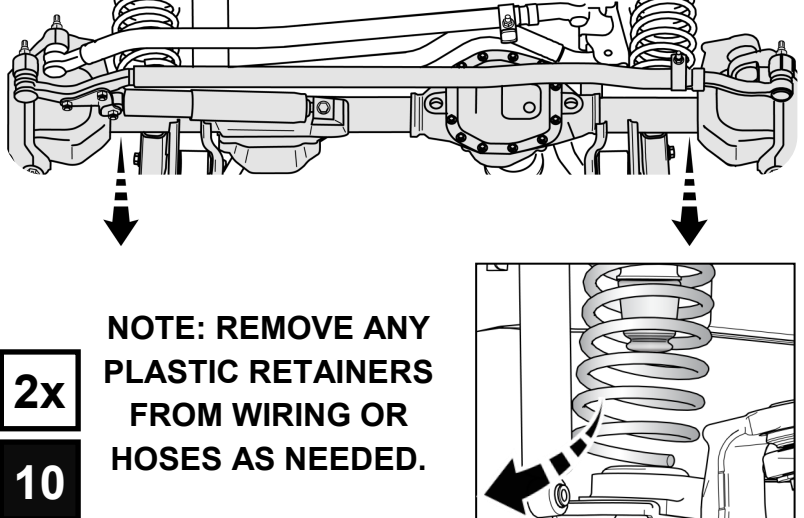
REMOVE SHOCKS



2x

9

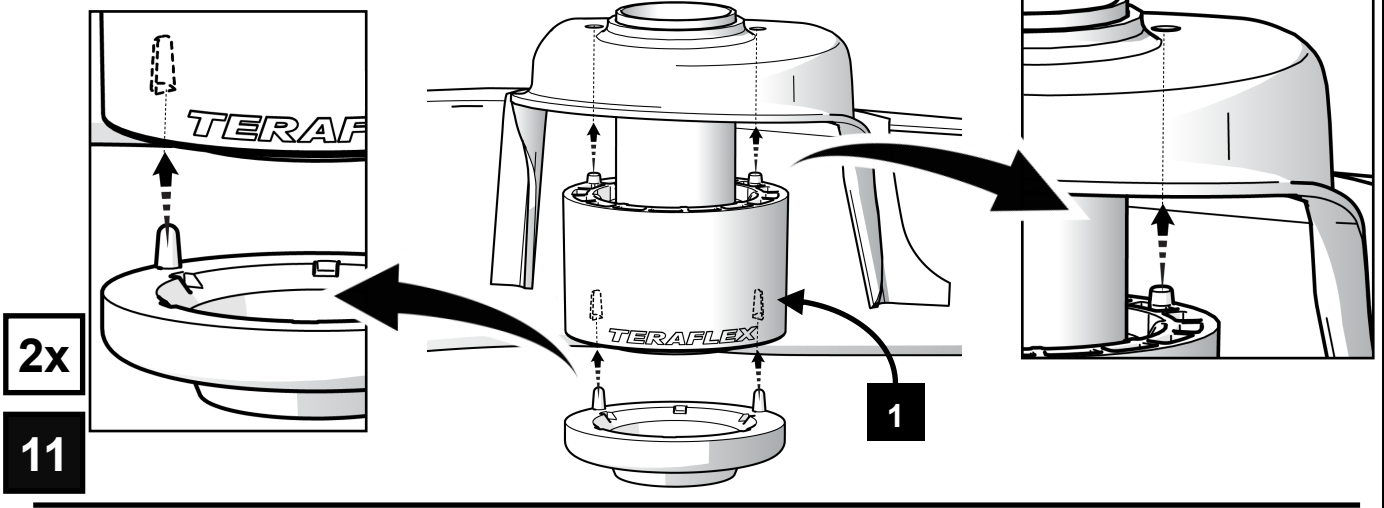
LOWER AXLE & REMOVE SPRINGS



2x

10

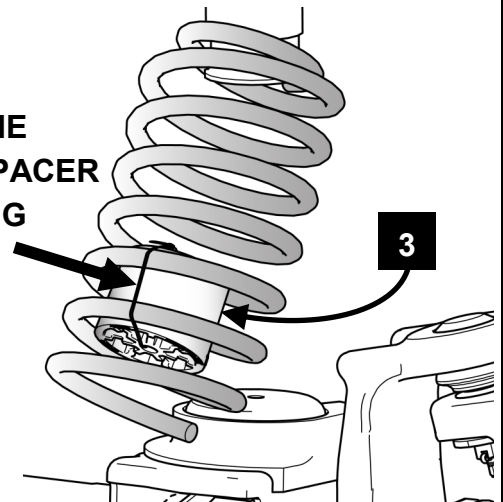
INSTALL SPRING SPACER AND FACTORY SPRING ISOLATOR ONTO JOUNCE TUBES



REINSTALL THE SPRINGS WITH LOWER BUMPSTOP SPACER INSIDE

NOTE: IF INSTALLING FALCON JOUNCE BUMPERS REFER TO INSTRUCTION #999308 BEFORE INSTALLING SPRINGS

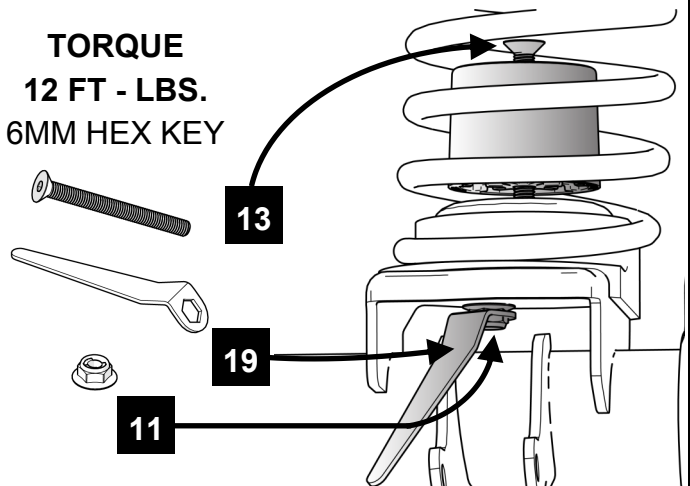
TIP: ZIP TIE BUMPSTOP SPACER TO SPRING



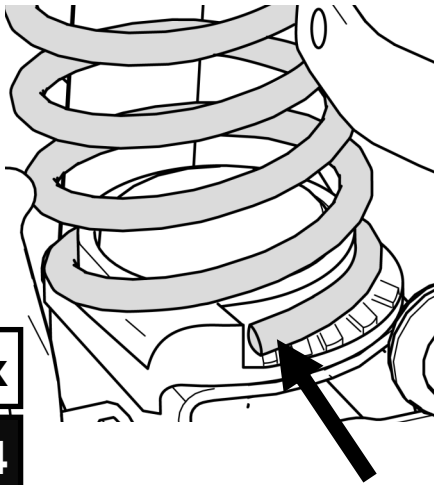
INSTALL BUMPSTOP TOP SPACER ONTO SPRING MOUNT

NOTE: REFER TO PAGE 14 FOR BUMPSTOP SPACER GUIDE

TORQUE 12 FT - LBS. 6MM HEX KEY



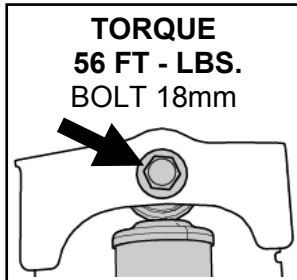
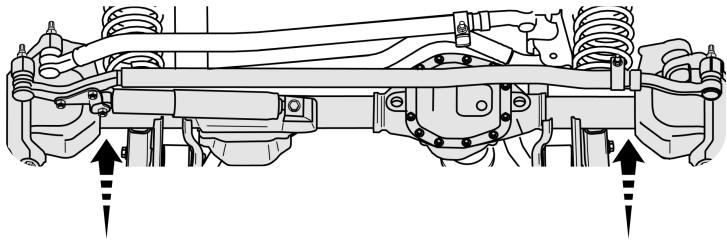
SEAT SPRINGS INTO LOWER SPRING ISOLATOR



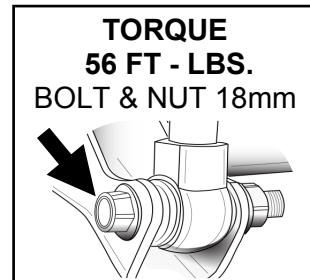
2x

14

RAISE AXLE & INSTALL REPLACEMENT SHOCKS

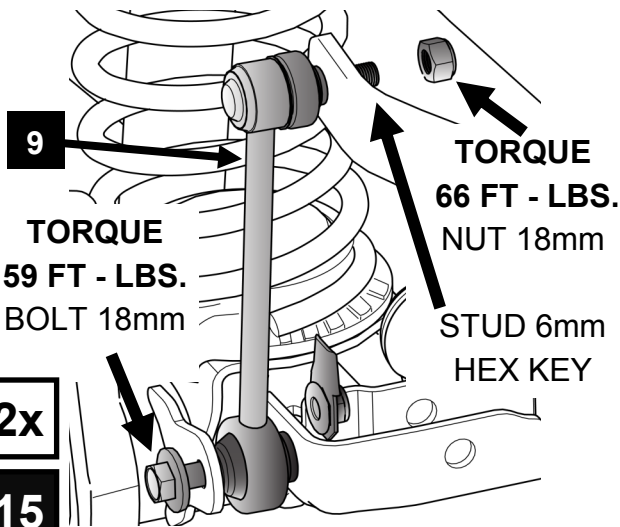


TORQUE
56 FT - LBS.
BOLT 18mm



TORQUE
56 FT - LBS.
BOLT & NUT 18mm

INSTALL NEW SWAY BAR LINKS



9

TORQUE
59 FT - LBS.
BOLT 18mm

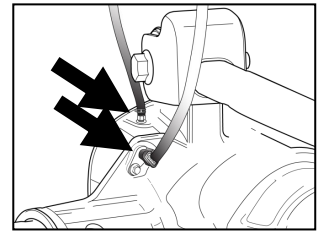
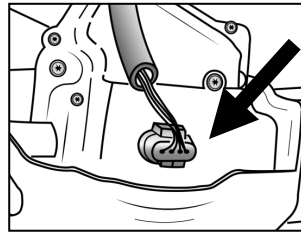
TORQUE
66 FT - LBS.
NUT 18mm

STUD 6mm
HEX KEY

2x

15

RECONNECT ACTUATORS AND VENT HOSE TO FRONT AXLE

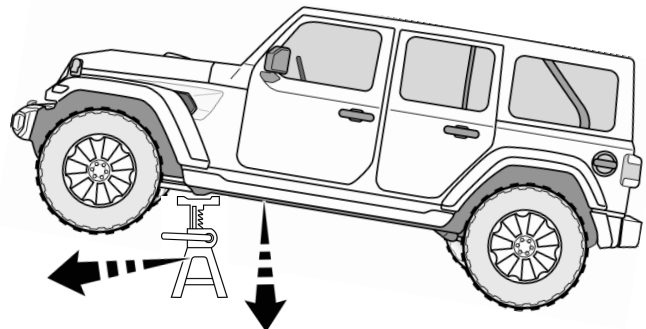
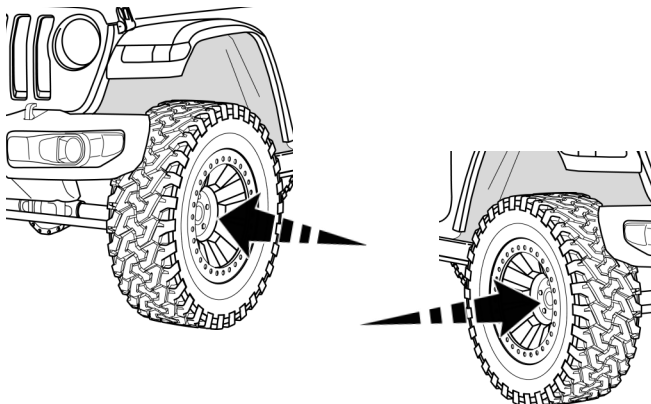


RECONNECT PLASTIC RETAINERS FROM WIRING OR HOSES AS NEEDED

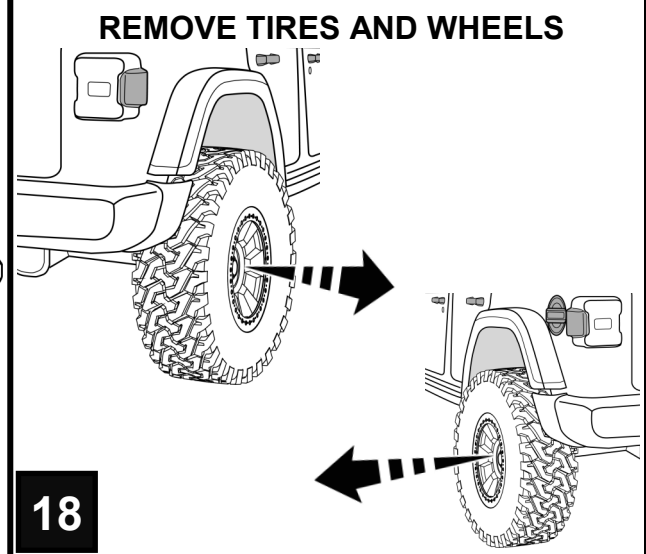
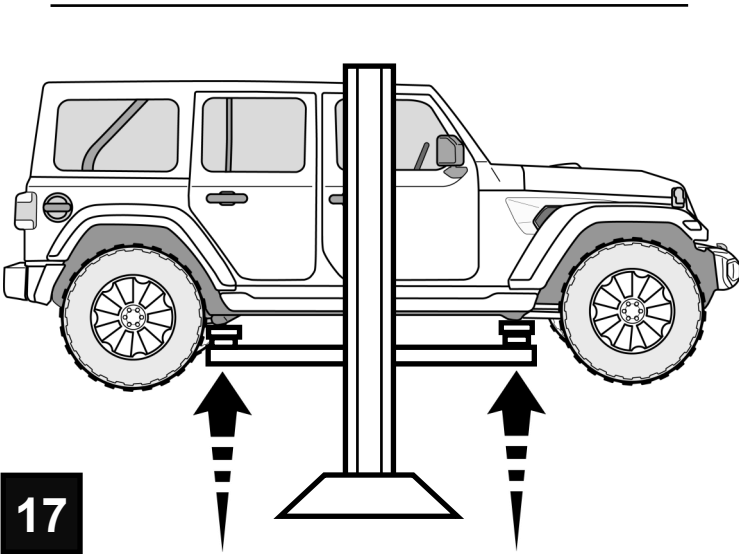
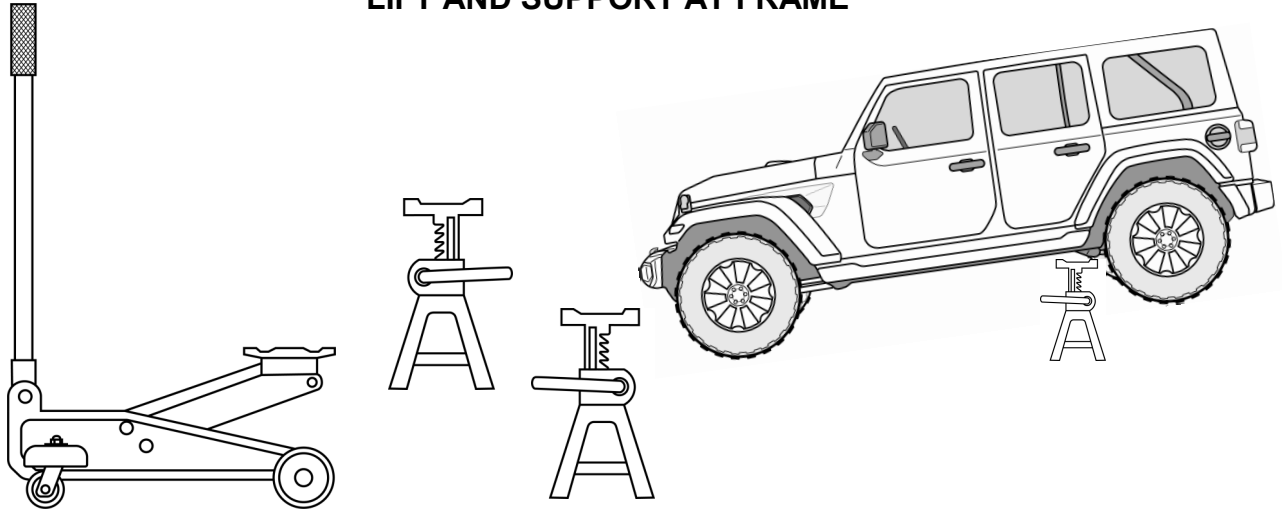
NOTE: DO NOT TIGHTEN THE CONTROL ARM BOLTS UNTIL THE JEEP IS ON THE GROUND

16

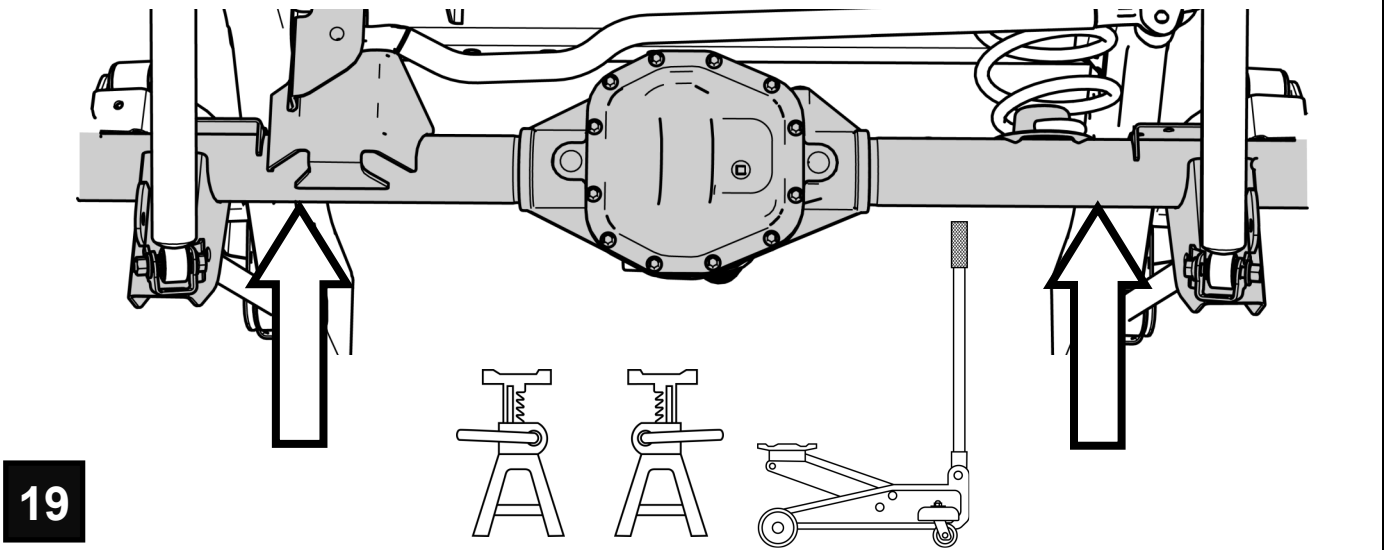
NOTE: IF ONLY FRONT OF JEEP WAS LIFTED REINSTALL TIRES & WHEELS AND LOWER JEEP BACK TO THE GROUND BEFORE LIFTING THE REAR



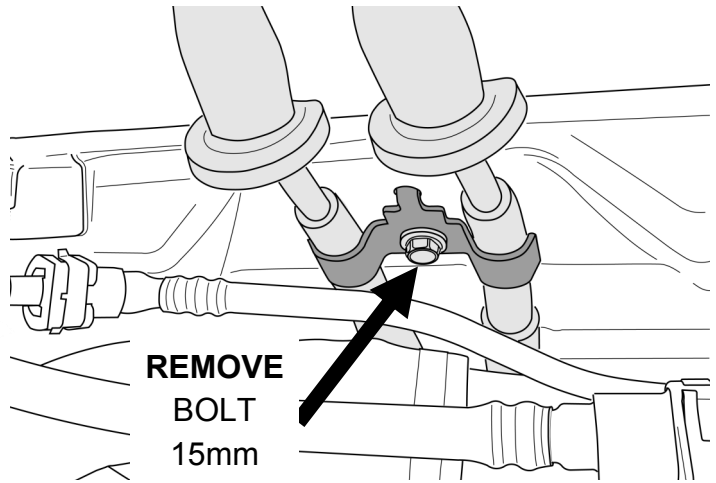
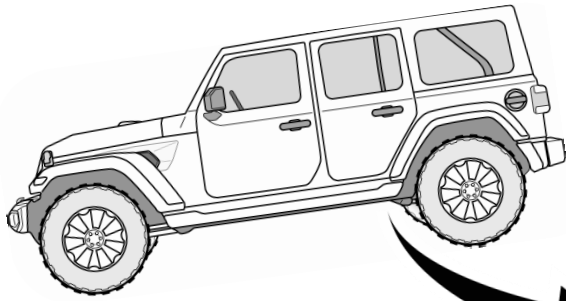
LIFT AND SUPPORT AT FRAME



SUPPORT REAR AXLE

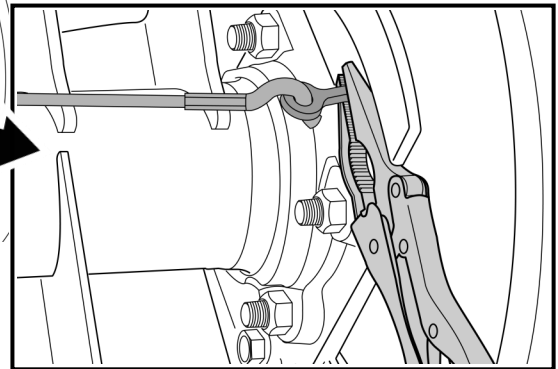
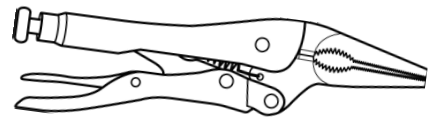
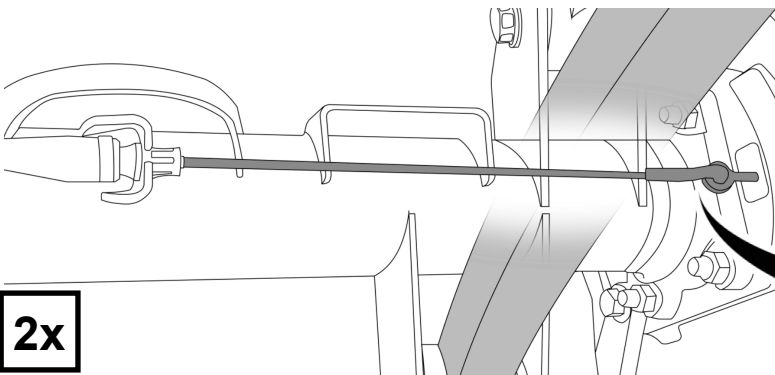


REMOVE E-BRAKE CABLE BRACKET AND DISCARD



20

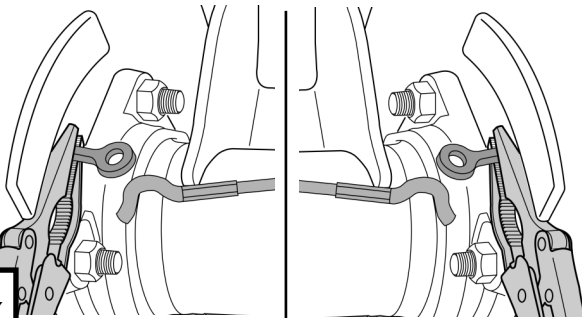
SET E-BRAKE AND CLAMP BOTH E-BRAKE EYELETS AGAINST BACKING PLATES WITH LOCKING PLIERS



2x

21

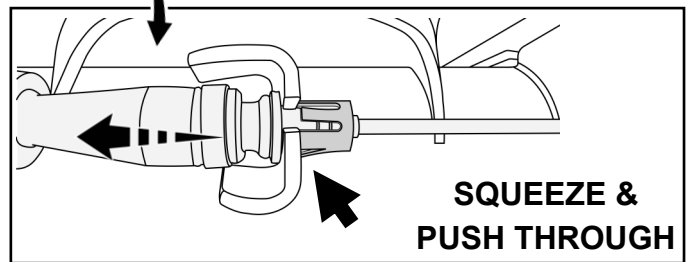
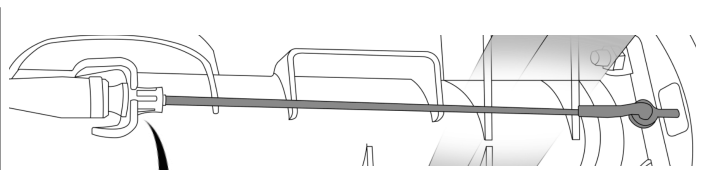
RELEASE E-BRAKE AND DISCONNECT CABLES FROM BOTH EYELETS AND AXLE BRACKETS



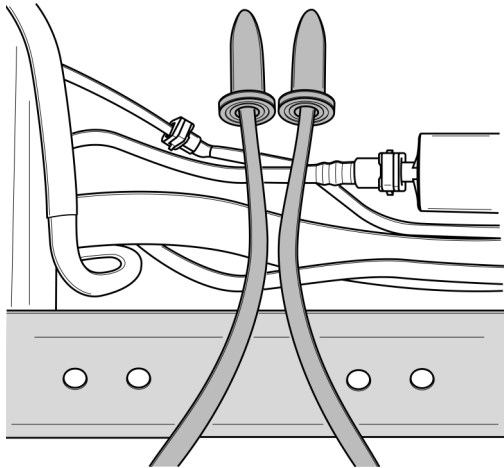
2x

22

NOTE: DO NOT REMOVE LOCKING PLIERS FROM E-BRAKE EYELET

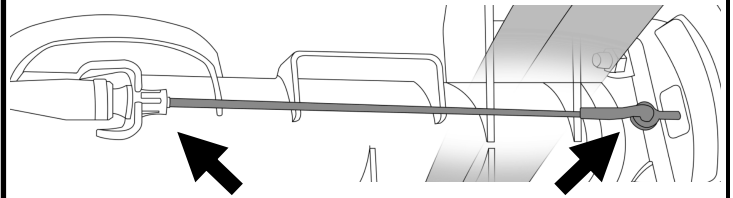


REROUTE E-BRAKE CABLES UNDER CROSS MEMBER AND FUEL LINES.



23

RECONNECT E-BRAKE CABLES TO THE AXLE BRACKETS AND THEN THE E-BRAKE EYELETS.

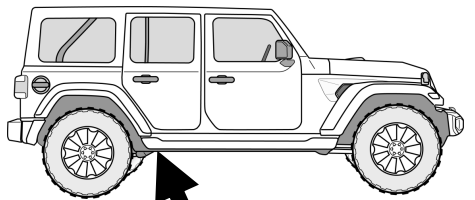


2x

24

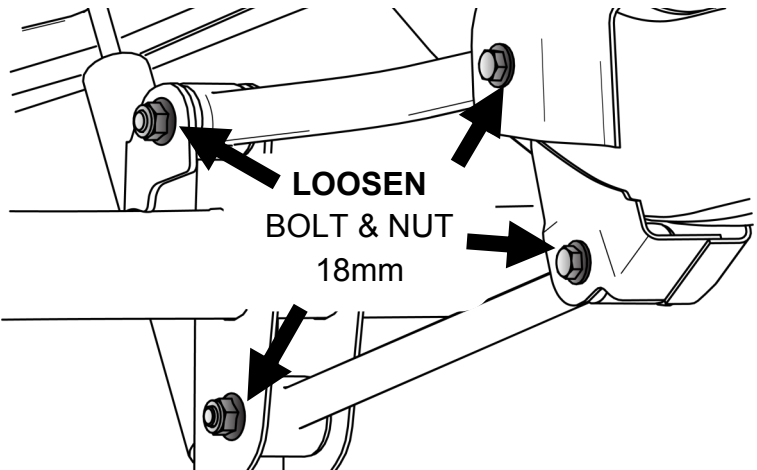
REMOVE CLAMPS FROM E-BRAKE EYELET

**LOOSEN REAR CONTROL ARM BOLTS
DO NOT REMOVE THE CONTROL ARM BOLTS**

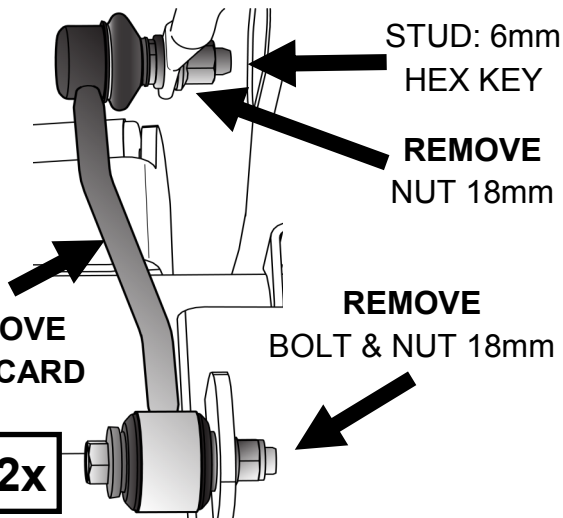


2x

25

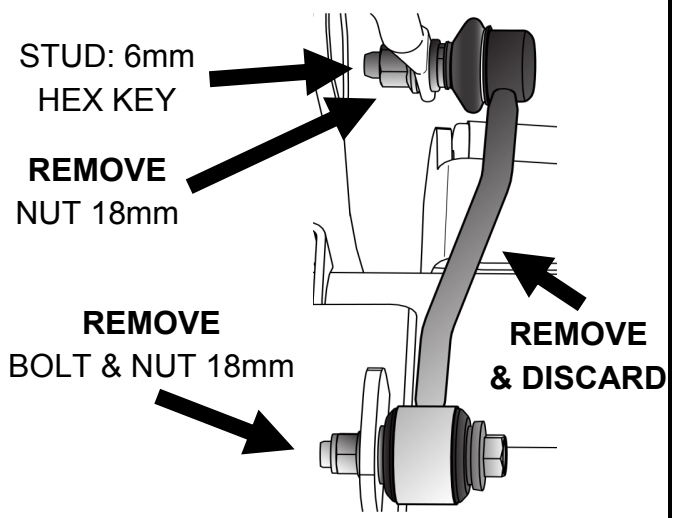


REMOVE SWAY BAR LINKS

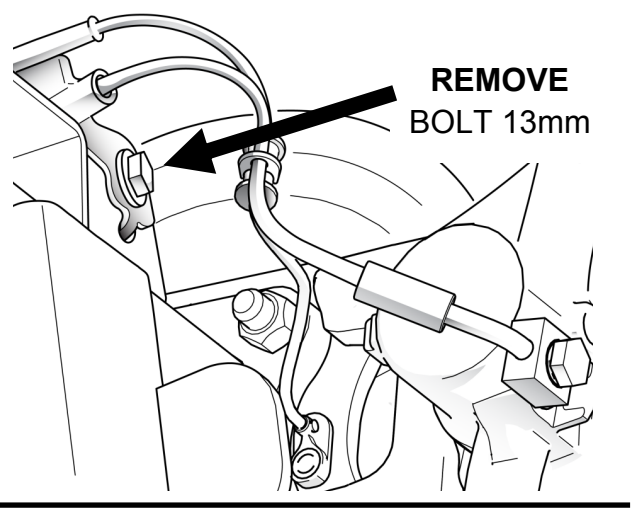
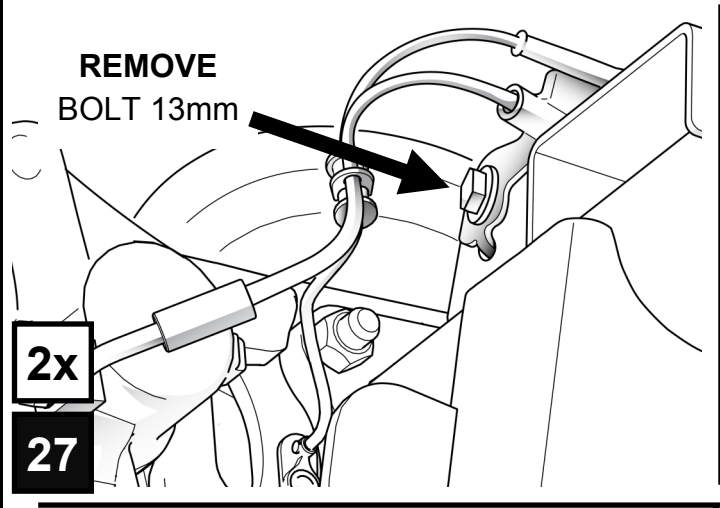


26

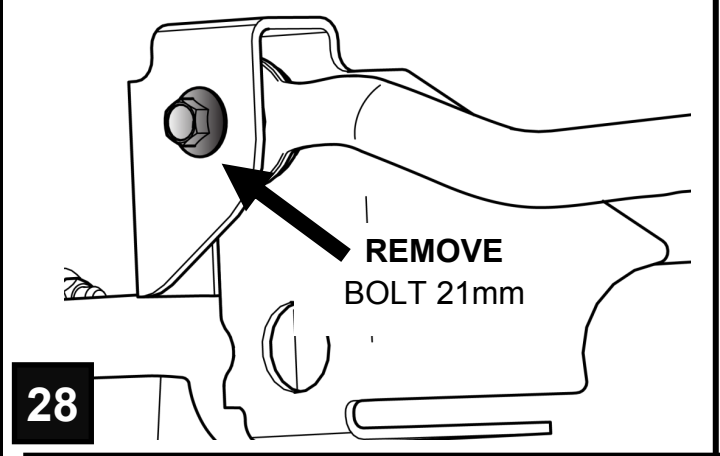
2x



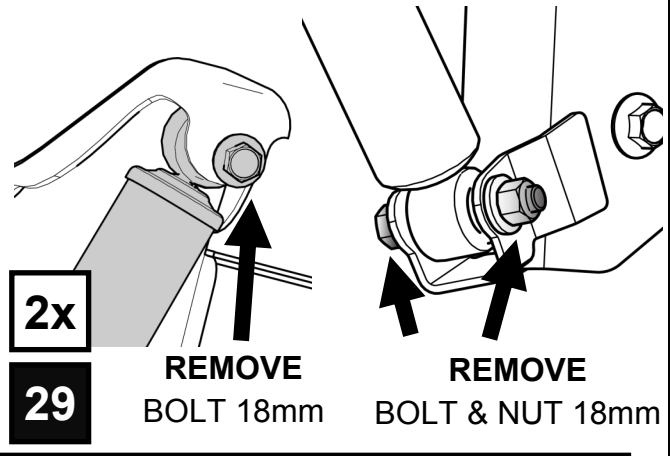
REMOVE BRAKE LINE BRACKETS FROM AXLE



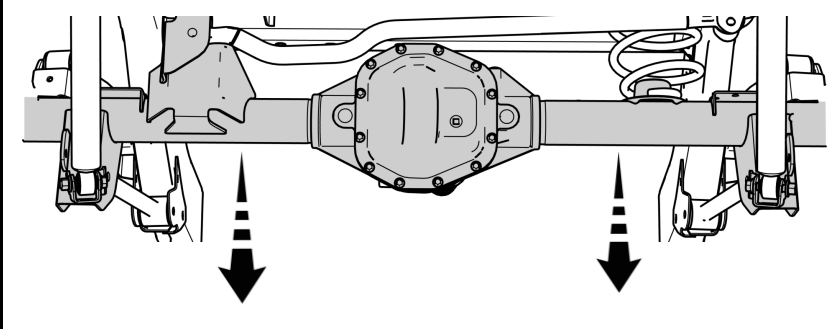
REMOVE THE TRACK BAR FROM THE AXLE



REMOVE THE REAR SHOCKS

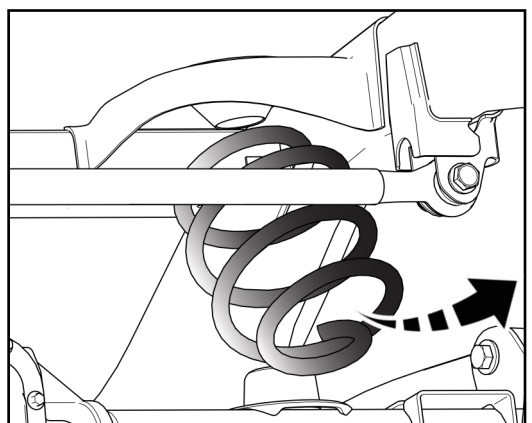


LOWER AXLE AND REMOVE THE SPRINGS

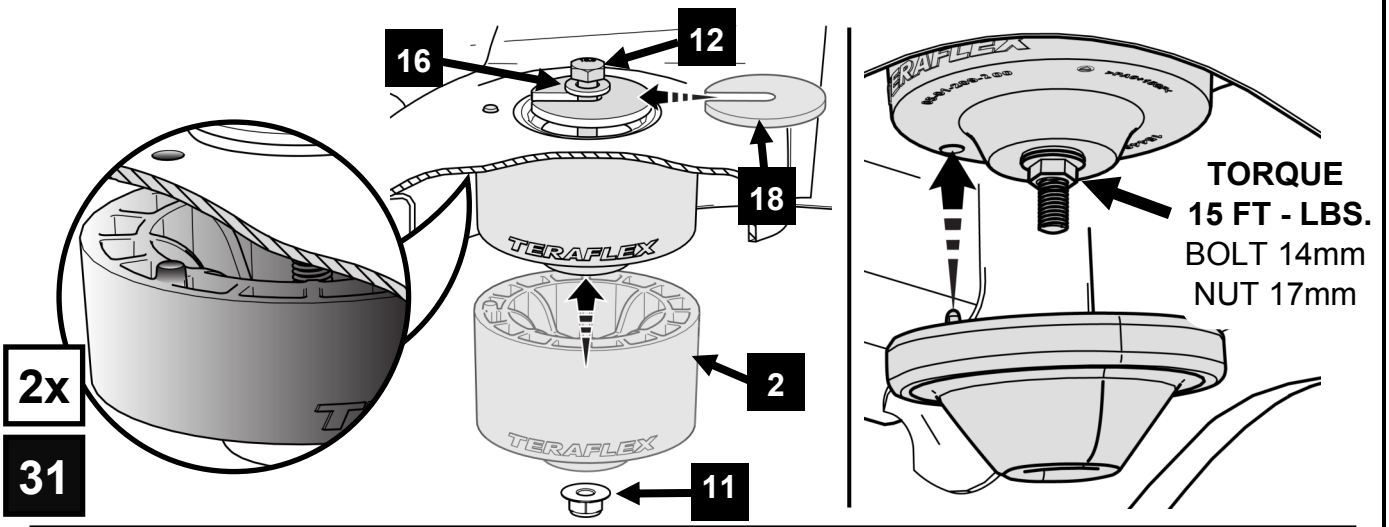


2x
30

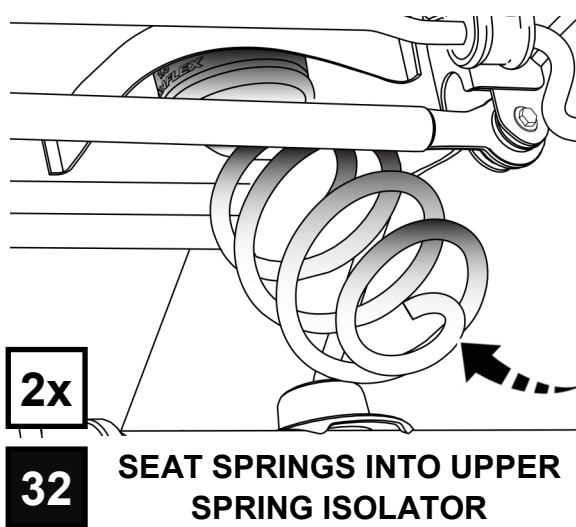
NOTE: REMOVE ANY PLASTIC RETAINERS FROM WIRING OR HOSES AS NEEDED.



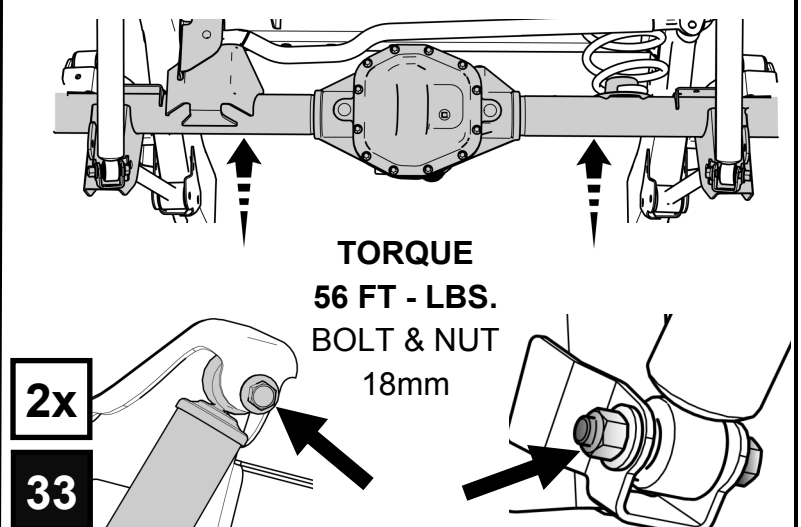
INSTALL REAR SPRING SPACER AND FACTORY SPRING ISOLATOR



REINSTALL REAR SPRINGS

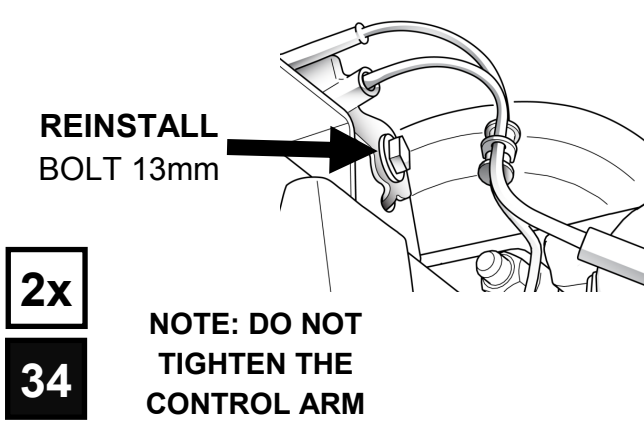


RAISE AXLE & INSTALL REPLACEMENT SHOCKS

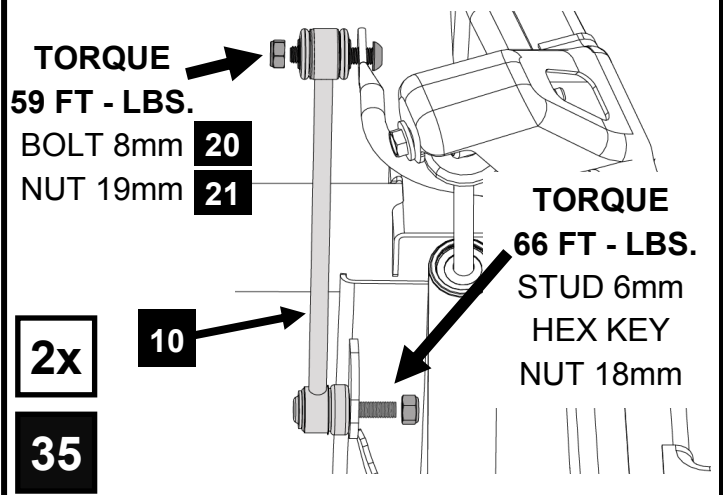


REINSTALL BRAKE LINE BRACKETS

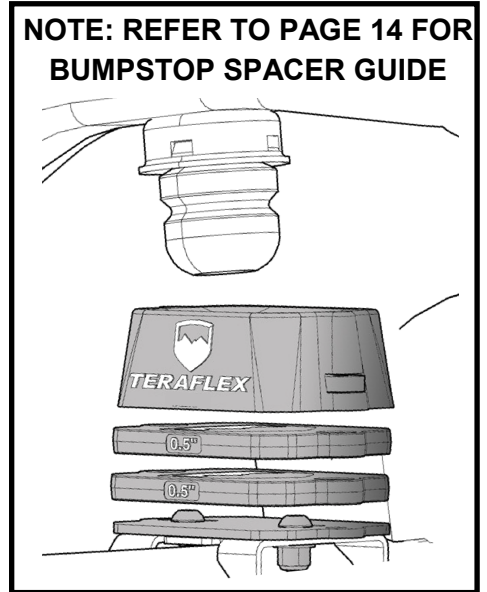
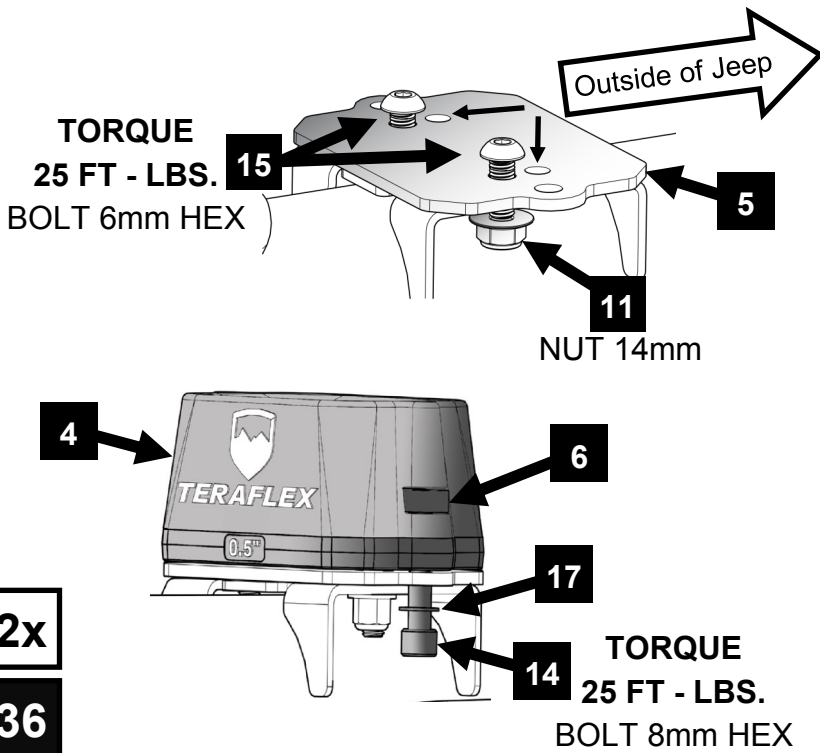
RECONNECT PLASTIC RETAINERS FROM WIRING OR HOSES AS NEEDED



INSTALL NEW SWAY BAR LINKS

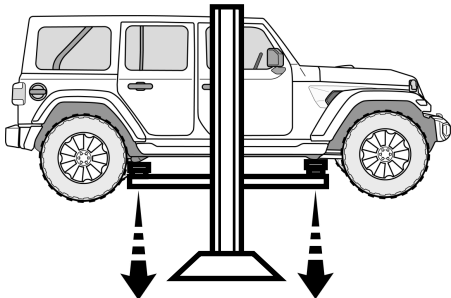


INSTALL BUMPSTOP TOP SPACER ONTO AXLE



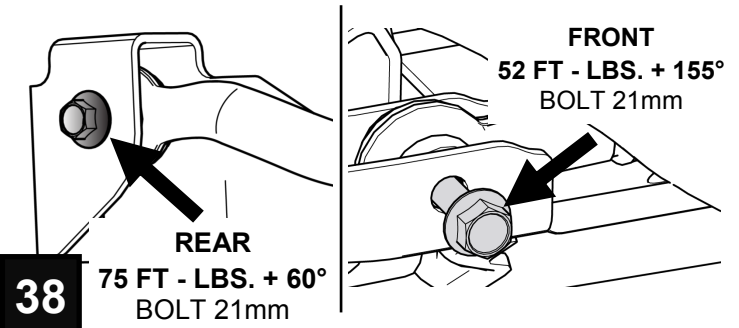
2x
36

REINSTALL TIRES AND WHEELS AND LOWER JEEP TO GROUND



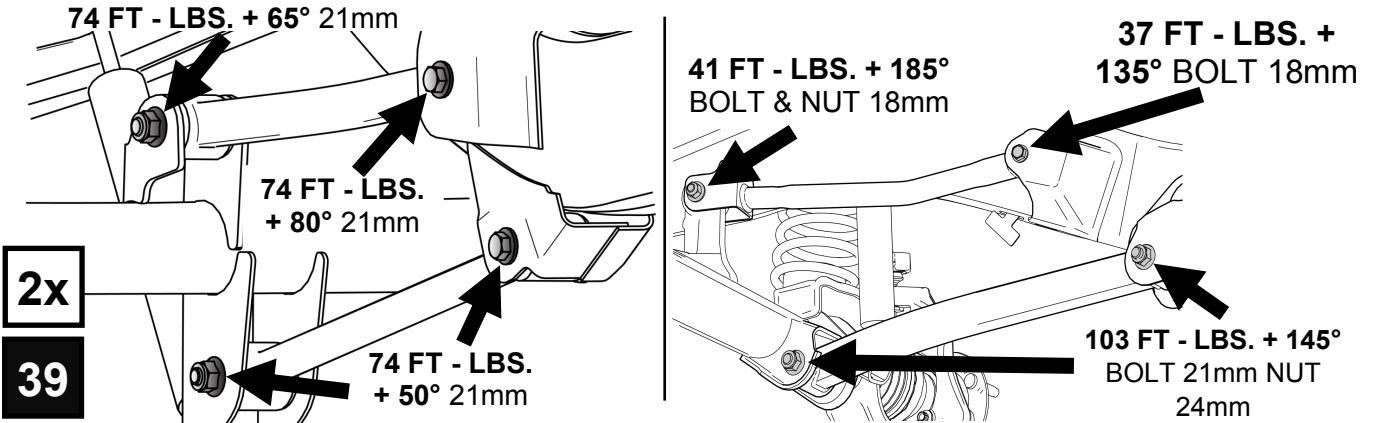
37 **TORQUE TO FACTORY SPEC**

REINSTALL TRACK BARS AND TORQUE TO THE FOLLOWING SPECS



38

TORQUE CONTROL ARMS TO THE FOLLOWING SPECS



2x
39

JL Tire Clearance Guide (FACTORY FENDERS)

By limiting suspension up travel, TeraFlex Bump Stops allow the use of larger tires while keeping the factory fenders.

JL Rubicon models feature high-clearance fenders that allow for more up travel, while the lower-clearance fenders on JL Sport and Sahara restricts tire size due to fender rubbing.

In order to address these fender differences, TeraFlex designed a proprietary modular bump stop system, which can be adapted to fit several different lift height and tire size configurations.

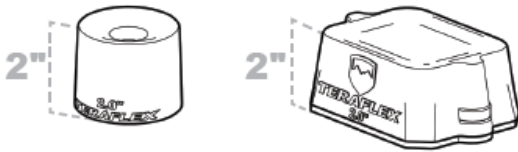
In addition to the main 2" bump stop spacers, this system includes multiple 0.5" interlocking spacers that can be added to fine tune bump stop height to limit suspension up travel.

JL RUBICON

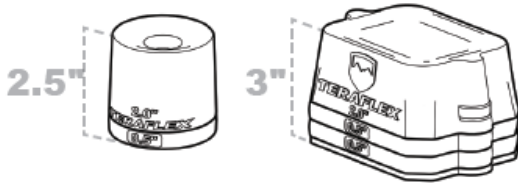
JL Rubicon with Factory Fenders:

See Notes: Not all Tires Measure the Same

- 33" - No Bump Stops
- 35" - 2" Front & 2" Rear Bump Stops



- 37" - 2.5" Front & 3" Rear Bump Stops

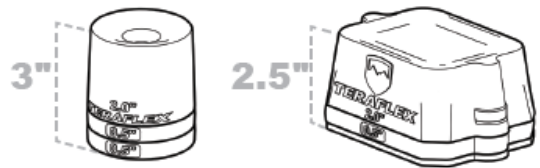


JL SPORT/SAHARA

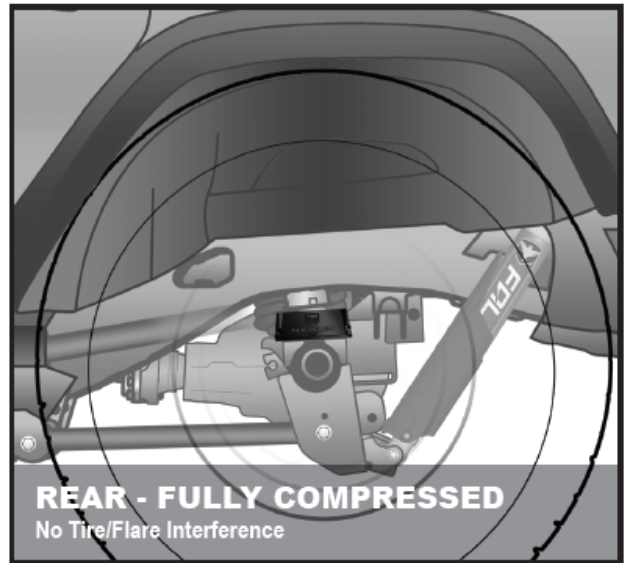
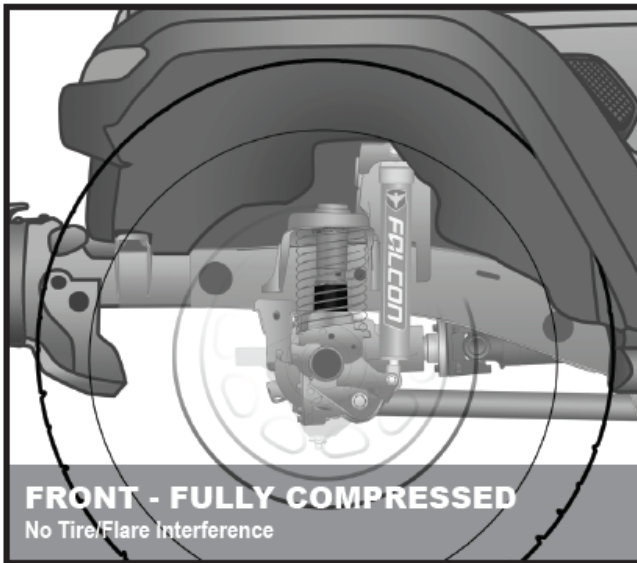
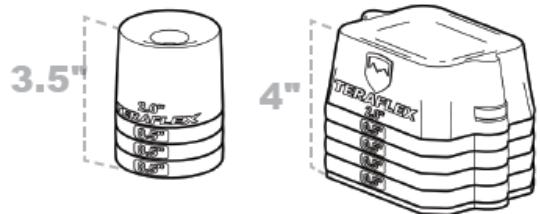
JL Sport/Sahara with Factory Fenders:

See Notes: Not all Tires Measure the Same

- 33" - No Bump Stops
- 35" - 3" Front & 2.5" Rear Bump Stops



- 37" - 3.5" Front & 4" Rear Bump Stops



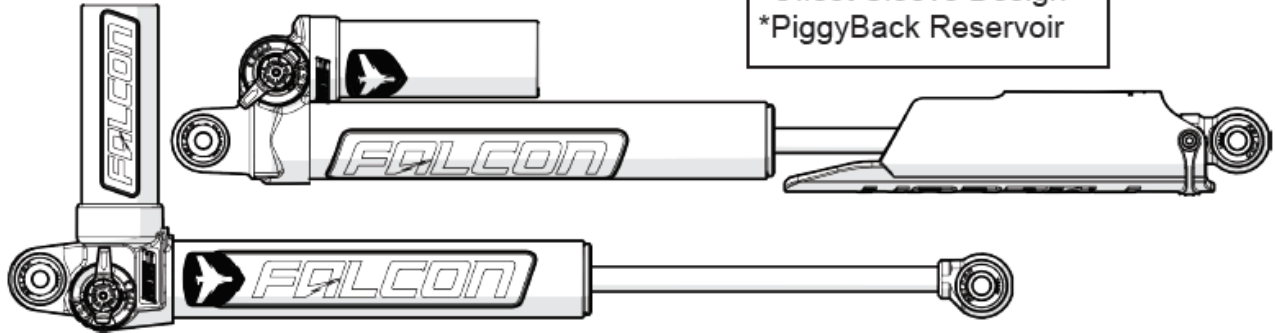
JL/JLU Strike Pad Shim (Front & Rear) 1959300 \$59.99

2-4 Inch Shock Options

JL Falcon Adjustable PiggyBack Shocks

- 4 Door Series 3.3, 11-01-33-400-200-3
- 2 Door Series 3.3, 10-01-33-400-200-3

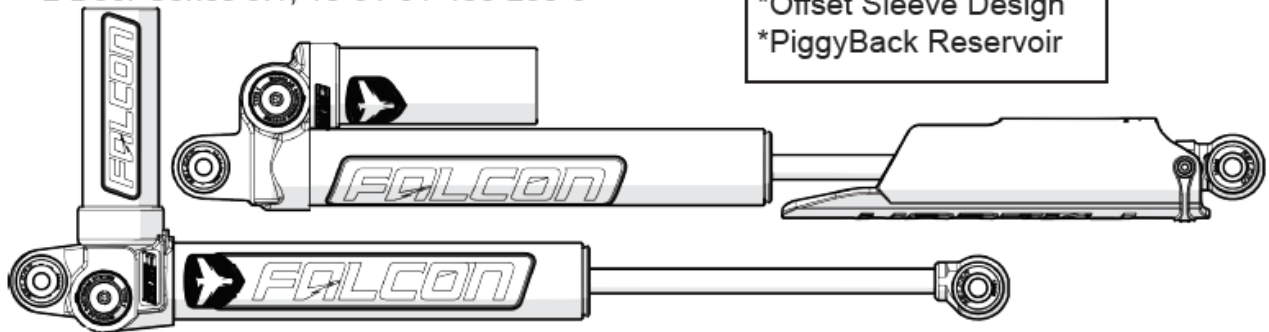
- *Fast Adjust Knob
- *High Flow Oil Channel
- *Offset Sleeve Design
- *PiggyBack Reservoir



JL Falcon PiggyBack Shocks

- 4 Door Series 3.1, 11-01-31-400-200-3
- 2 Door Series 3.1, 10-01-31-400-200-3

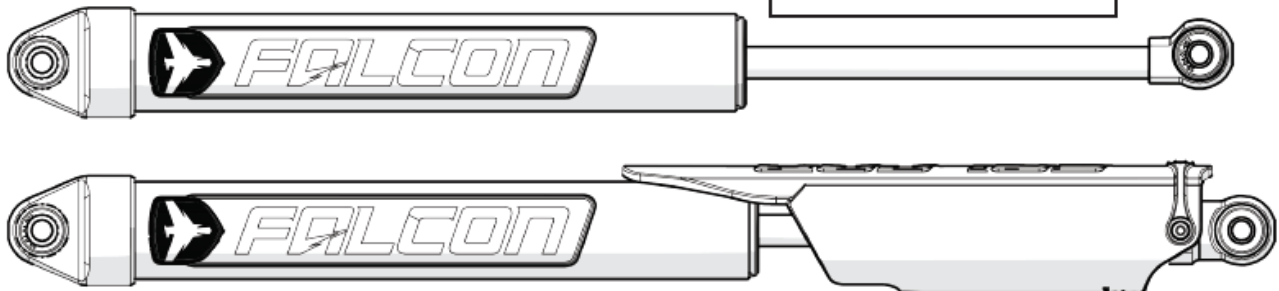
- *Series 3.3 Upgradable
- *High Flow Oil Channel
- *Offset Sleeve Design
- *PiggyBack Reservoir



JL Falcon Monotube Shocks

- 4 Door Series 2.1, 11-01-21-400-200-3
- 2 Door Series 2.1, 10-01-21-400-200-3

- *Oil Gas Separator
- *3/4" Chrome Shaft
- *Offset Sleeve Design
- *JL Specific Shock



PRODUCT INFORMATION

MAINTENANCE INFORMATION:

It is the buyer's responsibility to have all suspension, drivetrain, steering, and other components checked for proper tightness and torque after the first 100 miles and every 3000 miles after that.

NOTICE TO INSTALLER:

The enclosed "Warning to Driver" sticker must be installed in the vehicle in driver's view. This sticker is to act as a constant safety reminder when operating the vehicle. It is your responsibility as the equipment installer to install the provided sticker and to forward the product instructions to the vehicle's owner for review. If a "Warning to Driver" sticker or product installation guide were not included in the kit, FREE replacement stickers and instructions are available by request. It is the installer's duty to ensure a safe and controllable vehicle after the modifications have been performed.

WARNING:

Neither the seller nor the manufacturer will be liable for any loss, damage, or injury directly or indirectly arising from the use of or inability to determine the use of these products. Before using, the user shall determine the suitability of the products for its intended use, and the user shall assume all responsibility and risk in connection therewith.

WARNING TO DRIVER:

This vehicle has been modified to enhance off road performance and has unique handling characteristics. Use in harsh environments can cause extreme stress on the components. Vehicle should be inspected after being off road to make sure that all the components are in working order and safe to travel on the highway. All fasteners should be checked so that they are at the correct torque specifications as the vibration and stresses from off roading may cause critical fasteners to work loose. Extra care should be taken to inspect the critical components, steering, and brake systems. During each oil change components such as arms, tie rod ends, etc should be greased and checked for excessive wear. Any worn components should be replaced. When returning to the pavement always set or restore tire air pressure to the factory recommendation and connect or engage any disabled sway bar mechanisms. Because of the higher center of gravity and larger tires, this vehicle handles and reacts differently than many passenger cars, both on and off road. You must drive it safely! Extreme care should be taken to prevent vehicle rollover or loss of control, which can result in serious injury or death. Avoid sudden sharp turns or abrupt maneuvers. Generally, braking performance and capabilities are decreased when significantly larger/heavier tires are used, especially when used in combination with transfer case low-range reduction kits. Take this into consideration while driving. Do not add, alter or fabricate any factory or aftermarket parts to increase vehicle height over the intended height of the TeraFlex product purchased. Mixing component brand is not recommended. TeraFlex Inc. will not be responsible for any altered product or any improper installation or use of our products. We will be happy to answer any questions concerning the design, function, and correct use of our products. It is ultimately the buyer's responsibility to have all bolts/nuts checked for tightness after the first 100 miles and then every 3000 miles. Wheel alignment, steering system, suspension and drive line systems must be inspected by a qualified professional mechanic at least every 3000 miles.

TERAFLEX PRODUCT WARRANTY:

TeraFlex Inc. warrants TeraFlex Suspension products to the original retail purchaser to be free of defects in material and workmanship for as long as the original purchaser owns the vehicle on which products were originally installed.

Failure to complete regular maintenance (grease every 3000 miles) on TeraFlex FlexArms will void this warranty. All other conditions of the standard TeraFlex product warranty apply.

All TeraLow products are covered by the TeraFlex two (2) year warranty to be free of defects in material and workmanship for two years from date purchased.

TeraFlex axles are covered by a 12-month warranty to be free of defects in materials and workmanship.

This warranty does not cover or include product finish, improperly installed or applied products, improperly maintained products, products or components used for racing or competition or damage due to abuse or neglect, products that fail due to the use of larger tire and wheel combinations.

All returns must be accompanied by an original invoice. It is the customer's responsibility to remove the product from the vehicle. Shipping charges are the responsibility of the customer. TeraFlex Inc. will pay the return freight if the product meets the terms of warranty.

This warranty is for the replacement or repair of defective TeraFlex products only and does not include freight charges, labor charges for removal of or installation of TeraFlex or related products or components, costs incurred due to down time of the vehicle, or lost profits due to vehicle down time.

A returned goods authorization number (RGA#) must accompany any returned products. For more information please contact a TeraFlex customer service representative.

COPYRIGHT

©Copyright 2014. All rights reserved, TeraFlex Inc. Reproduction of this catalog and/or any of its contents without written permission is strictly prohibited.

TeraFlex® is a registered trademark of TeraFlex Inc. All trade names and logos including but not limited to TeraFlex, FlexArms, RockGuard, Monster, and LCG are protected by law and duplication of trade names and/or logos are strictly prohibited.

TeraFlex Inc. reserves the right to update, discontinue, redesign, modify finish, part number or component build parts if deemed necessary without written notice.

TeraFlex Inc., and any associated dealers are not responsible for misprints or typographical errors that may have inadvertently been made within this instruction sheet.

Jeep® and the Jeep® grill are registered trademarks of Fiat Chrysler Automobiles N.V., and have no affiliation with TeraFlex Inc.

TERAFLEX, Inc.
5680 West Dannon Way
West Jordan, Utah 84081
Phone/801.713.3314
Fax/801.713.2313
www.teraflex.com