

TERAFLEX PRODUCT INSTALLATION GUIDE

76-86 CJ Front - Suzuki Samurai Front & Rear - Scout 800 Series Front & Rear - Scout 2 Rear Revolver Shackle Kit

Part #1023000



Important Notes:

Prior to beginning this or any installation read these instructions to familiarize yourself with the required steps and evaluate if you are experienced and capable to personally perform these modifications.

Refer to the parts list to ensure that all necessary components and hardware has been included. If any parts are missing please contact your local retailer for assistance.

Brake lines should be correctly extended, shocks should be checked for extended travel length, and the left rear emergency brake cable may need to be modified before using this vehicle. Check the driveline for proper clearance as well.

Kit Contents

Item ID	Item Name	Quantity
600508	CJ Revolver Shackle	2

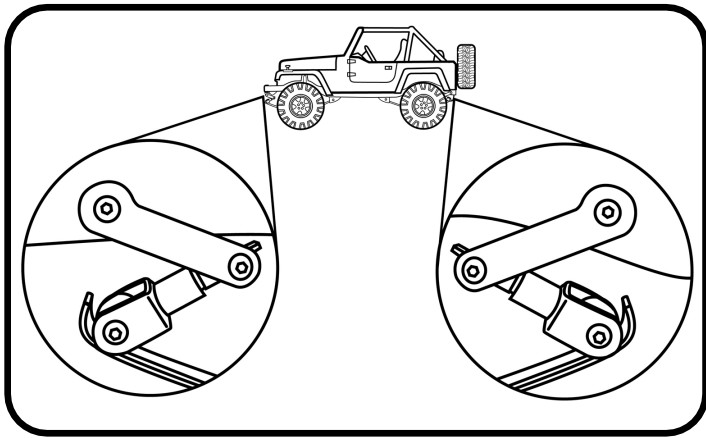
Tools needed:

- Jack
- Jack Stands
- Ratchet
- Set of Metric Sockets
- Set of Metric Combination Wrenches

TeraFlex, Inc.
5680 W Dannon Way
West Jordan, UT 84081
Phone/801.288.2585
Fax/801.713.2313
www.teraflex.com

Installation:

1. Jack the rear of the vehicle up by the frame so that the axle droops. Secure the frame with jack stands.
2. Unbolt the spring shackles and discard shackles. It may be necessary to re-use the stock bolt in applications using a metric bolt to connect the shackle to the frame.
3. Install the shackle so the hinged portion points toward the axle (see below). The relief in the yoke should be positioned towards the spring. The hinged portion of the shackle should always point towards the axle.



Note: Grease the sides of the spring bushings to make installation easier.

4. Insert the new sleeves through the shackle and spring. Secure the shackles with the new bolts and locking nuts. When tightened, the bolt should still be able to be rotated slightly using a wrench.
5. Remove the vehicle from the jack stands.
6. Check to make sure you have tightened the shackle bolts. Lower vehicle off jack stands.
7. Repeat above steps for front installation.

The Shackles are now installed and ready for use

Please check the following items:

Jack the rear of the vehicle up until the shackles just start to open. STOP!

Check driveshaft rotation, brake line length and shock travel.

When using a slip yoke stock drive shaft, make sure that under full droop it has at least a 1-1/4 inch overlap.

If the drive shaft is rotating freely and the shocks and brake lines are not maxed out, lift the vehicle until the rear tires are slightly off the ground or brake lines are tight.

If successful in lifting the vehicle until the tires are slightly off the ground, re-check the driveshaft rotation, shock travel, and brake line tension.

Please note that shocks may limit your full articulation capability.

A few considerations will maximize the off-road performance of TeraFlex Revolver-Shackles:

1. Use front shocks with 10.5" to 12" of wheel travel.
2. Use rear shocks with 8" to 10" of wheel travel.
3. Use longer brake lines front and rear.
Note: Most aftermarket suspensions kits already supply them but check to make sure yours are long enough.
4. Check the bolts on the fixed end of the springs. Tighten until snug, but you should be able to rotate them slightly with the bolt end.

TERAFLEX **PRODUCT INFORMATION**

MAINTENANCE INFORMATION:

It is the buyer's responsibility to have all suspension, drivetrain, steering, and other components checked for proper tightness and torque after the first 100 miles and every 3000 miles after that.

NOTICE TO INSTALLER:

The enclosed "Warning to Driver" sticker must be installed in the vehicle in driver's view. This sticker is to act as a constant safety reminder when operating the vehicle. It is your responsibility as the equipment installer to install the provided sticker and to forward the product instructions to the vehicle's owner for review. If a "Warning to Driver" sticker or product installation guide were not included in the kit, FREE replacement stickers and instructions are available by request. It is the installer's duty to ensure a safe and controllable vehicle after the modifications have been performed.

WARNING:

Neither the seller nor the manufacturer will be liable for any loss, damage, or injury directly or indirectly arising from the use of or inability to determine the use of these products. Before using, the user shall determine the suitability of the products for its intended use, and the user shall assume all responsibility and risk in connection therewith.

WARNING TO DRIVER:

This vehicle has been modified to enhance off road performance and has unique handling characteristics. Use in harsh environments can cause extreme stress on the components. Vehicle should be inspected after being off road to make sure that all the components are in working order and safe to travel on the highway. All fasteners should be checked so that they are at the correct torque specifications as the vibration and stresses from off-roading may cause critical fasteners to work loose. Extra care should be taken to inspect the critical components, steering, and brake systems. During each oil change components such as arms, tie rod ends, etc. should be greased and checked for excessive wear. Any worn components should be replaced. When returning to the pavement always set or restore tire air pressure to the factory recommendation and connect or engage any disabled sway bar mechanisms. Because of the higher center of gravity and larger tires, this vehicle handles and reacts differently than many passenger cars, both on and off road. You must drive it safely! Extreme care should be taken to prevent vehicle rollover or loss of control, which can result in serious injury or death. Avoid sudden sharp turns or abrupt maneuvers. Generally, braking performance and capabilities are decreased when significantly larger/heavier tires are used, especially when used in combination with transfer case low-range reduction kits. Take this into consideration while driving. Do not add, alter or fabricate any factory or aftermarket parts to increase vehicle height over the intended height of the TeraFlex product purchased. Mixing component brand is not recommended. TeraFlex Inc. will not be responsible for any altered product or any improper installation or use of our products. We will be happy to answer any questions concerning the design, function, and correct use of our products. It is ultimately the buyer's responsibility to have all bolts/nuts checked for tightness after the first 100 miles and then every 3000 miles. Wheel alignment, steering system, suspension and drive line systems must be inspected by a qualified professional mechanic at least every 3000 miles.

TERAFLEX PRODUCT WARRANTY:

Tera Manufacturing warrants TeraFlex Suspension products to the original retail purchaser to be free of defects in material and workmanship for as long as the original purchaser owns the vehicle on which products were originally installed. Failure to complete regular maintenance (grease every 3000 miles) on TeraFlex FlexArms will void this warranty. All other conditions of the standard TeraFlex product warranty apply. All TeraLow products are covered by TeraFlex's two (2) year warranty to be free of defects in material and workmanship for two years from date purchased.

Tera axles are covered by a 12-month warranty to be free of defects in materials and workmanship. This warranty does not cover or include product finish, improperly installed or applied products, improperly maintained products, products or components used for racing or competition or damage due to abuse or neglect, products that fail due to the use of larger tire and wheel combinations.

All returns must be accompanied by an original invoice. It is the customer's responsibility to remove the product from the vehicle. Shipping charges are the responsibility of the customer. Tera Manufacturing will pay the return freight if the product meets the terms of warranty.

This warranty is for the replacement or repair of defective TeraFlex products only and does not include freight charges, labor charges for removal of or installation of TeraFlex or related products or components, costs incurred due to down time of the vehicle, or lost profits due to vehicle down time.

A returned goods authorization number (RGA#) must accompany any returned products. For more information please contact a TeraFlex customer service representative.

COPYRIGHT

©Copyright 2008. All rights reserved, TeraFlex Inc. Reproduction of this catalog and/or any of its contents without written permission is strictly prohibited.

TeraFlex® is a registered trademark of TeraFlex Inc. All trade names and logos including but not limited to TeraFlex, FlexArms, RockGuard, Monster, and LCG are protected by law and duplication of trade names and/or logos are strictly prohibited.

TeraFlex Inc. reserves the right to update, discontinue, redesign, modify finish, part number or component build parts if deemed necessary without written notice. TeraFlex Inc., and any associated dealers are not responsible for misprints or typographical errors that may have inadvertently been made within this instruction sheet.

Jeep® and the Jeep® grill are registered trademarks of Chrysler LLC, and have no affiliation with TeraFlex Inc.