



# INSTALLATION INSTRUCTIONS

## Speaker Box Set Part #019

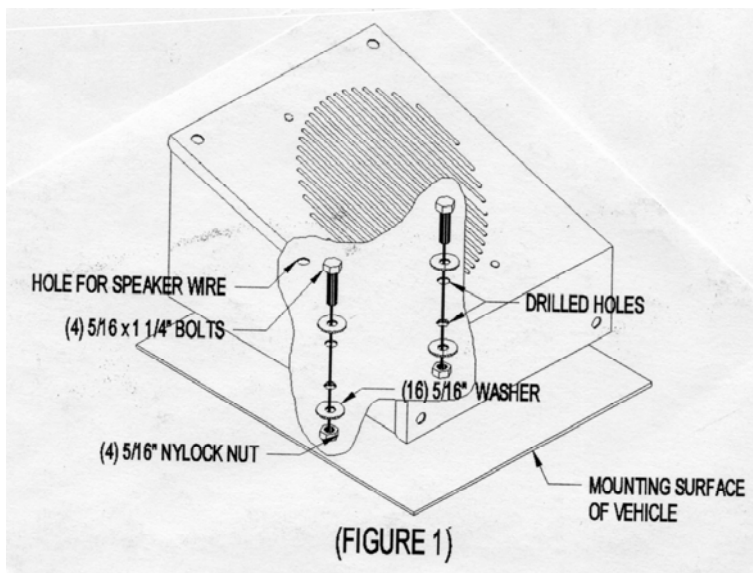
Please read and fill out the enclosed warranty registration card to activate your warranty.

### PARTS CHECKLIST

- (4) 5/16 x 1 1/4" bolts
- (4) 5/16 nylock nuts
- (16) 5/16" washers
- (8) 1/4-20 x 1/2" bolts
- (8) 1/4" washers
- (1) Wrench key for security bolts

### TOOLS NEEDED

- Electric drill
- 3/8" drill bit
- 1/4" drill bit
- (2) 1/2" wrenches

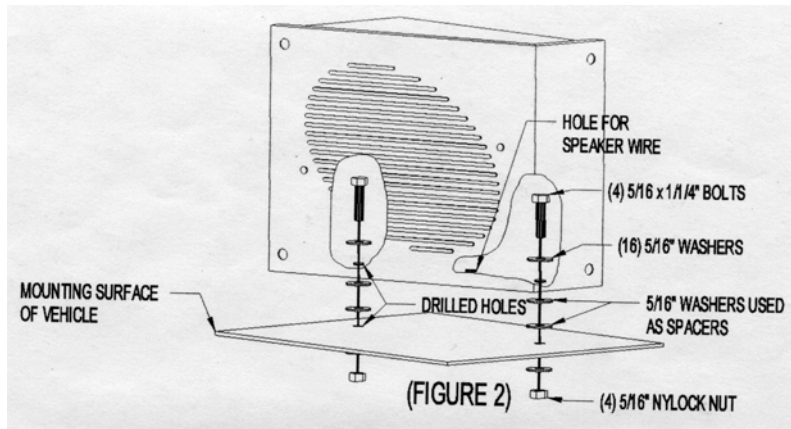


1. Mark two holes on the side of each Speaker box to drill the mounting holes. (Holes are not predrilled because there are many different ways that each speaker box can be mounted). (See figure 1).
2. Drill out the two marked spots on the speaker box with the 3/8" drill bit. Also drill out a third 3/8" hole for the speaker wires.
3. Place each speaker box in the mounting position and mark the vehicle directly under the (2) 3/8" mounting holes drilled in the speaker box.

**WARNING! Make sure that there is nothing under the vehicle that will be damaged by the drill bit when drilling.**

4. Remove speaker and drill out the marked spots on the vehicle to size 3/8" holes.
5. Extend speaker wires through the third 3/8" diameter hole drilled in the bottom of each Speaker box.
6. Fasten each speaker box with (2) 5/16 x 1 1/4" bolts, (2) 5/16" nylock nuts, and (8) 5/16" washers. If you are mounting the speaker on its side you will need to use (4) of the washers for spacers. (See figure 2).
7. Place speaker cloth between speaker and grill then bolt speaker to grill.

8. Connect speaker wires to speaker. (Consult speaker installation manual for correct wire connections.)
9. Bolt the grill to the Speaker box using the 1/4-20 x 1/2 screws and 1/4" washers.



Call (970)564-1762 for Technical Support